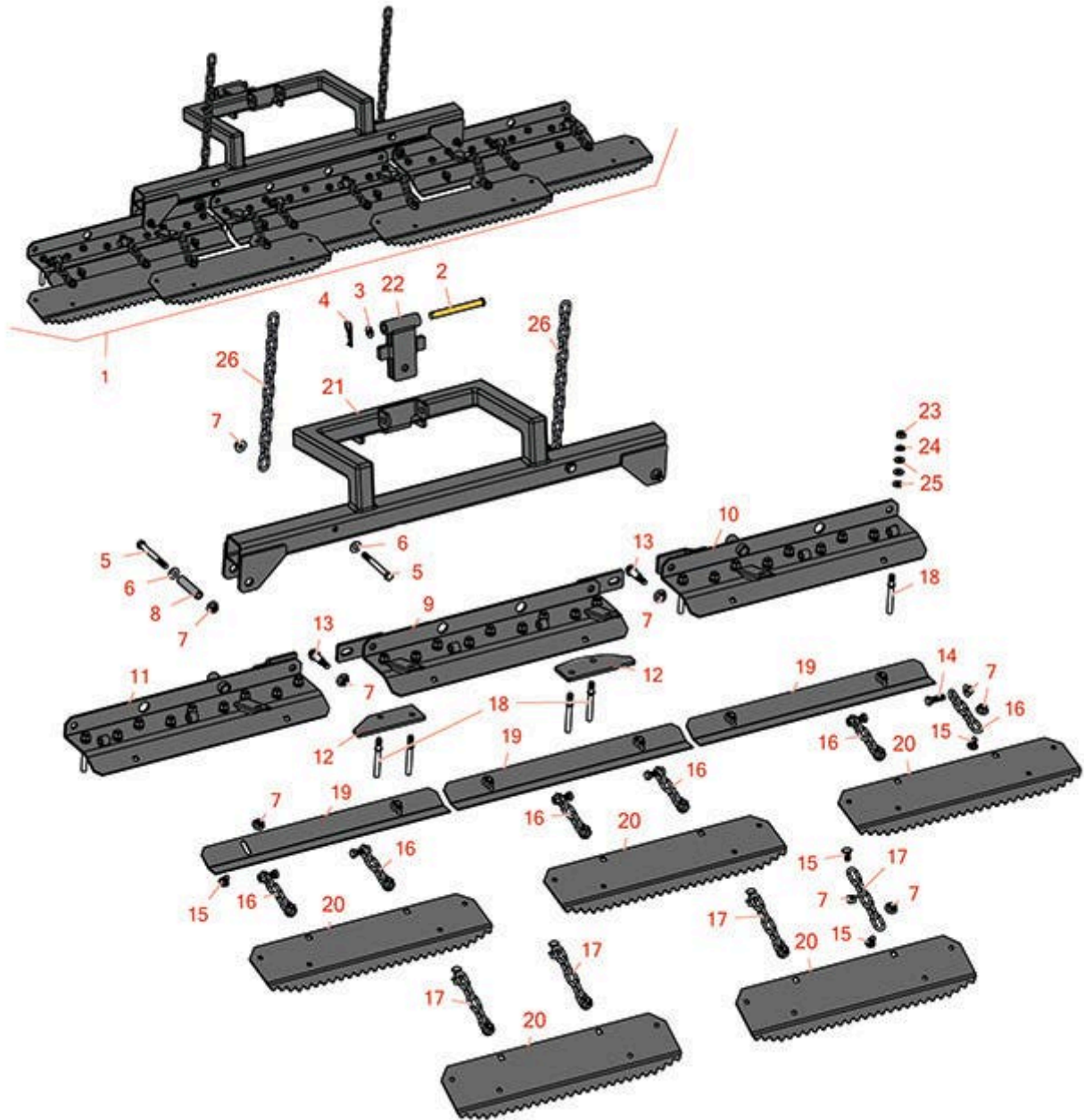




Replaces Toro Sand Pro 2020 Parts

Attachments

Tooth Rake - Model 08812



All original equipment manufacturers names and part numbers are used for identification purposes only, and we are in no way implying that our products are original equipment parts. Prices subject to change without notice.



Replaces Toro Sand Pro 2020 Parts

Attachments

Tooth Rake - Model 08812



Item No	R&R Part No.	OEM Part No.	Description	Qty Req	Order Quantity
---------	--------------	--------------	-------------	---------	----------------

Complete Kits Available

1	R08812	08812	Tooth Rake to Fit Standard Mounting Hitch	1	
---	---------------	-------	---	---	--

Detail Description: The Tooth Rake attachment with Standard Hitch may be used in wet or dry conditions to quickly scarify, smooth and groom. 72" (193cm) width, 5 rake sections, 27 adjustable prongs.:

Other Parts Available

2	R283-83	283-83, 42194, 93-5343	Pin - Clevis	1	
---	----------------	------------------------------	--------------	---	--

3	R187-0	3256-25, 7-0032	Washer - Flat 7/16 SAE	1	
---	---------------	--------------------	------------------------	---	--

4	R3272-12	01-151-0090, 28-19-D, 3272-12	Pin - Cotter 1/8 x 1-1/4	1	
---	-----------------	-------------------------------------	--------------------------	---	--

4	R460312	30-8530, 3290-343	Pin - Hair Cotter	1	
---	----------------	----------------------	-------------------	---	--

5	R323-14	01-150-0840, 01-178-0624, 20-55-AD, 21-196-AMD, 30-8750, 30-8970, 3224-10, 323-14, 323-20	Bolt - Hex HD 3/8-16 x 3	2	
---	----------------	---	--------------------------	---	--

6	R453009	01-166-0400, 24-10-BD, 24-9-AD, 32-9650, 3256-2, 3256-23, 3256-3, 3256-67, 3290-217, 3556-3, 4-2390, 7-0152	Washer - Flat 5/16 SAE	2	
---	----------------	--	------------------------	---	--

All original equipment manufacturers names and part numbers are used for identification purposes only, and we are in no way implying that our products are original equipment parts. Prices subject to change without notice.



Replaces Toro Sand Pro 2020 Parts

Attachments

Tooth Rake - Model 08812



Item No	R&R Part No.	OEM Part No.	Description	Qty Req	Order Quantity
6	R310266	3256-23, 3256-3, 3556-3	Washer - Flat 5/16 USS	2	
7	R32128-21	32128-21	Locknut - Flanged 3/8-16 Whiz Top Lock	30	
8	R84-2350	84-2350	Spacer - Rake Frame	2	
9	R84-2390-03	84-2390, 84-2390-03	Plate - Center Trowel	1	
10	R84-2400-03	84-2400, 84-2400-03	Plate - RH Trowel	1	
11	R84-2360-03	84-2360, 84-2360-03	Plate - LH Trowel	1	
12	R88-8440-03	256-289, 88-8440-03	Plate - Tipper	2	
13	R66-0561	66-0561	Screw - Shoulder	2	
14	R400264	01-150-0180, 01-178-0610, 20-48-AD, 20-48-AGD, 32-9160, 3224-3, 323-29, 323-7, 400264, 908035P	Bolt - Hex HD 3/8-16 x 1-1/4	6	
15	R3231-21	3231-21	Screw - 3/8-16 x 3/4 Carriage	20	
16	R84-2450	84-2450	Chain - Straight 4	6	
17	R84-2451	84-2451	Chain - Straight 5	4	
18	R88-8450	88-8450	Tooth - Rake 3-3/8 Oal	27	
18	R42-1940	42-1940, 84-2590, 85-0280	Tooth - Rake 4-3/8 Oal	27	

All original equipment manufacturers names and part numbers are used for identification purposes only, and we are in no way implying that our products are original equipment parts. Prices subject to change without notice.



Replaces Toro Sand Pro 2020 Parts

Attachments

Tooth Rake - Model 08812



Item No	R&R Part No.	OEM Part No.	Description	Qty Req	Order Quantity
19	R84-2550-03	84-2550, 84-2550-03	Trowel - Smooth	3	
20	R84-2280	84-2280, 84-2280-03	Rake - Finishing	5	
21	R84-2680-03	84-2680, 84-2680-03	Hanger Assy	1	
22	R84-2230-03	84-2230, 84-2230-03	Pivot Assy	1	
23	R3217-7	01-188-0616, 1441, 22-13-AJD, 3217-7, 513296, 513415, 513425, 915113P	Nut - 3/8-16 Hex Plated	27	
24	R3253-21	215-51, 30-8470, 3253-21, Jul-12	Washer - Lock 3/8	27	

All original equipment manufacturers names and part numbers are used for identification purposes only, and we are in no way implying that our products are original equipment parts. Prices subject to change without notice.



Replaces Toro Sand Pro 2020 Parts



Attachments

Tooth Rake - Model 08812

Item No	R&R Part No.	OEM Part No.	Description	Qty Req	Order Quantity
25	R453011	01-166-0100, 01-166-0120, 01-166-0270, 01-166-0500, 01-166-0600, 01-166-0620, 132-4593, 2356-3, 237-12, 24-10-AD, 24-11-AD, 24-11-BD, 24-12-AD, 24-12-BD, 30-9310, 32-8190, 3256-24, 3256-3, 3256-36, 3256-4, 453011, 47-9950, 48-9220, 513458, 7-0052	Washer - Flat 3/8 SAE Y/Zinc	81	
26	R84-2452	84-2452	Chain - 14 Link, Str	2	

All original equipment manufacturers names and part numbers are used for identification purposes only, and we are in no way implying that our products are original equipment parts. Prices subject to change without notice.