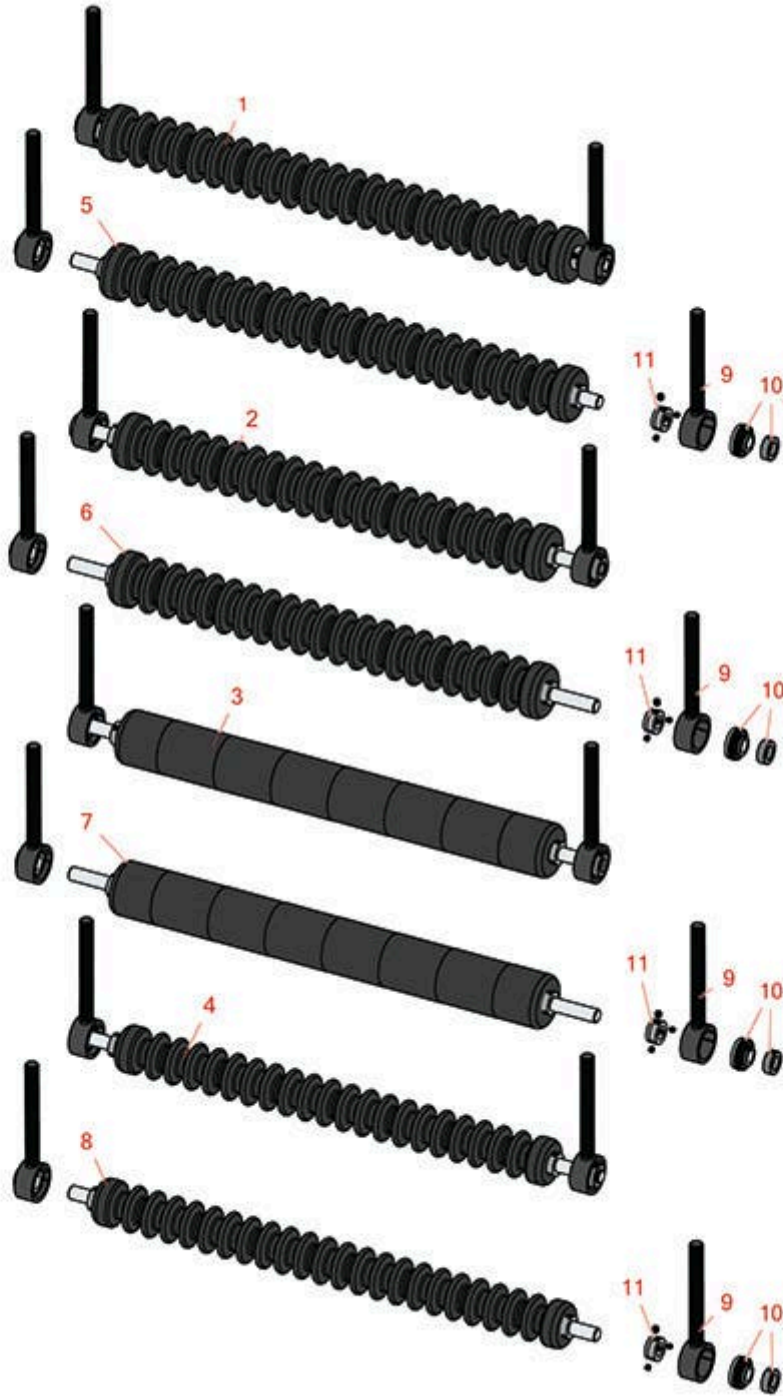




Replaces Toro Reelmaster 335D Parts

Cutting Unit
Minuteman Roller System



All original equipment manufacturers names and part numbers are used for identification purposes only, and we are in no way implying that our products are original equipment parts. Prices subject to change without notice.



Replaces Toro Reelmaster 335D Parts

Cutting Unit

Minuteman Roller System



Item R&R
No Part No.

OEM
Part No. Description

Qty
Req

Order
Quantity

Complete Minuteman Roller Systems

1	RMT5001	Minuteman Front Grooved Roller System	0
---	----------------	---------------------------------------	---

Tech Note: Complete roller systems include roller and two brackets with bearings.:

2	RMT5002	Minuteman Rear Grooved Roller System	0
---	----------------	--------------------------------------	---

Tech Note: Complete roller systems include roller and two brackets with bearings.:

3	RMT5003	Minuteman Rear Smooth Roller System	0
---	----------------	-------------------------------------	---

Tech Note: Complete roller systems include roller and two brackets with bearings.:

4	RMT5008	Minuteman Front Grooved Roller System	0
---	----------------	---------------------------------------	---

Tech Note: Complete roller systems include roller and two brackets with bearings.:

Minuteman Rollers Only

5	RM531	Minuteman Grooved Roller Only	0
---	--------------	-------------------------------	---

Tech Note: Use with Minuteman Roller Bracket System Only:

6	RM532	Minuteman Grooved Roller Only	0
---	--------------	-------------------------------	---

Tech Note: Use with Minuteman Roller Bracket System Only:

7	RM533	Minuteman Smooth Roller Only	0
---	--------------	------------------------------	---

Tech Note: Use with Minuteman Roller Bracket System Only:

8	RM530	Minuteman Grooved Roller Only	0
---	--------------	-------------------------------	---

Tech Note: Use with Minuteman Roller Bracket System Only:

Other Parts Available

9	RT521	Bracket - Front/Rear RH/LH	0
---	--------------	----------------------------	---

10	RMMB204	Bearing w/Locking Collar	0
----	----------------	--------------------------	---

11	RMM3	End Hub - 7/8 ID	0
----	-------------	------------------	---

All original equipment manufacturers names and part numbers are used for identification purposes only, and we are in no way implying that our products are original equipment parts. Prices subject to change without notice.