

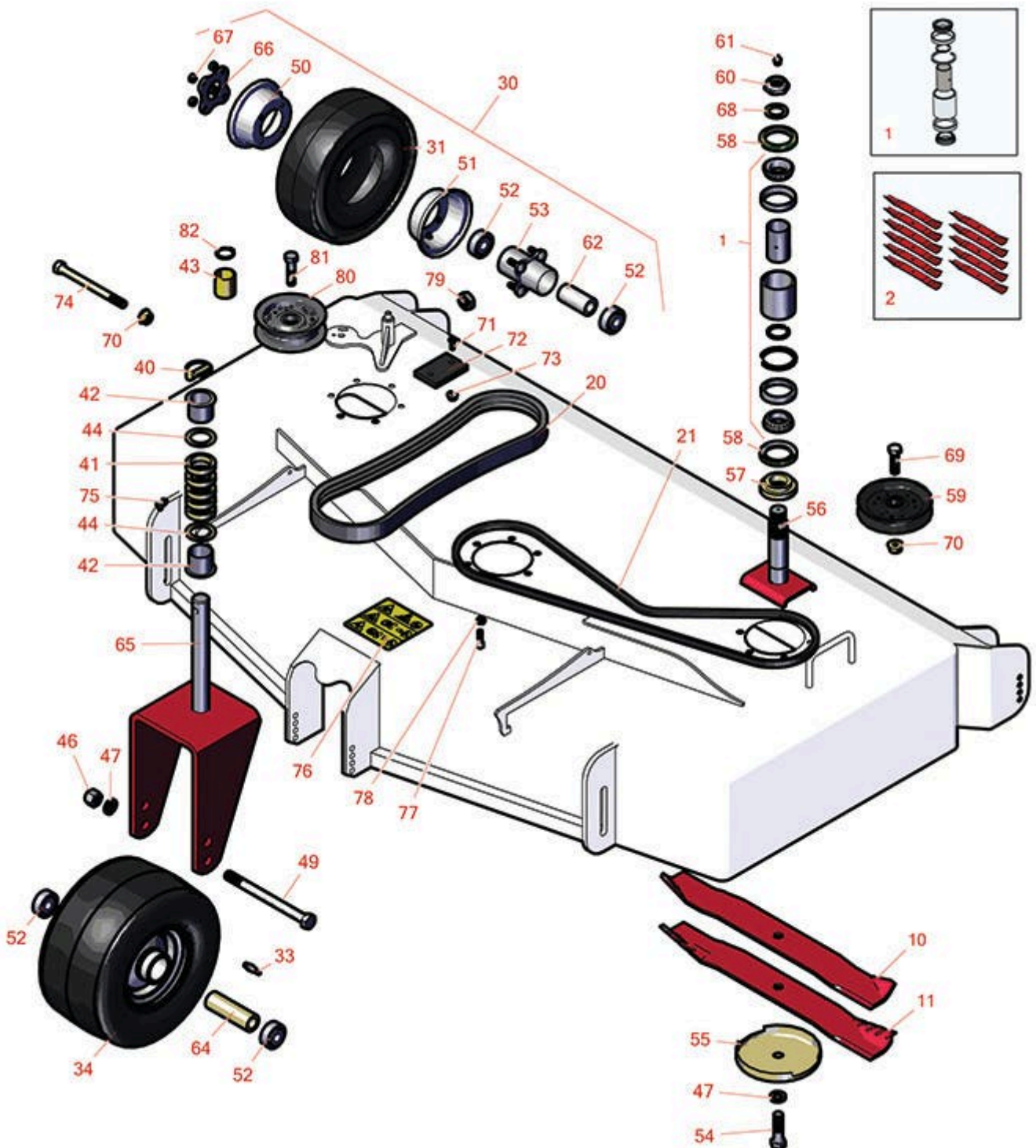


# Replaces Toro Groundsmaster 580-D

## Parts

Rotary Deck

Models 30591, 30592 & 30593



All original equipment manufacturers names and part numbers are used for identification purposes only, and we are in no way implying that our products are original equipment parts. Prices subject to change without notice.



# Replaces Toro Groundsmaster 580-D

## Parts

Rotary Deck

Models 30591, 30592 & 30593



Item No	R&R Part No.	OEM Part No.	Description	Qty Req	Order Quantity
---------	--------------	--------------	-------------	---------	----------------

### Overhaul Kits

1	<b>R71-2530</b>	69-8380, 71-2530	Bearing Kit - Spindle	11	
---	-----------------	---------------------	-----------------------	----	--

*Detail Description: Includes Retaining Rings, Spacers, Bearings & Cups:*

2	<b>R108-1453</b>		Mower Blade Kit - Gator Mulching SET/11	11	
---	------------------	--	---	----	--

*Detail Description: Includes 11 ea: R69-6920M Gator Mulching Rotary Blades:*

### Rotary Blades

10	<b>R69-6920</b>	69-6920, 69-6920-01, 69-6920-03	Mower Blade	11	
----	-----------------	---------------------------------------	-------------	----	--

11	<b>R69-6920M</b>		Mower Blade - Gator Mulcher	11	
----	------------------	--	-----------------------------	----	--

*Detail Description: Mulching mower blades increase efficiency and productivity. The patented Faltor mulching "teeth" circulate cut grass back into the deck multiple times creating a finer cut and better looking turf.:*

### Belts

20	<b>R106-0003</b>	106-0003	V-Belt	1	
----	------------------	----------	--------	---	--

21	<b>R99-2318</b>	99-2318	V-Belt	4	
----	-----------------	---------	--------	---	--

21	<b>R76-2060</b>	69-6210, 76-2060	Belt - Wing Unit	4	
----	-----------------	---------------------	------------------	---	--

*Tech Note: Fits 1997 & Prior:*

21	<b>R93-8457</b>	93-8457	Belt - Main Drive	4	
----	-----------------	---------	-------------------	---	--

*Tech Note: Fits 2001 & Prior:*

21	<b>R69-6220</b>	69-6220	Belt - Main Drive	4	
----	-----------------	---------	-------------------	---	--

*Tech Note: Fits 2001 & Prior:*

### Tires & Wheels

All original equipment manufacturers names and part numbers are used for identification purposes only, and we are in no way implying that our products are original equipment parts. Prices subject to change without notice.



# Replaces Toro Groundsmaster 580-D

## Parts

Rotary Deck

Models 30591, 30592 & 30593



Item No	R&R Part No.	OEM Part No.	Description	Qty Req	Order Quantity
30	<b>R93-4240</b>	69-6930, 85-6420, 92-1654, 93-4240	Tire & Wheel - 10x3.50-4	4	
30	<b>R93-5973</b>	76-1880, 93-5973	Wheel - Assy-Foam Filled 10x3.5-4SM	4	
31	<b>R93-4243</b>	93-4243	Tire - 10x3.50-4 (8 Ply) Pneu	1	
31	<b>R98-7313</b>	98-7313	Tire - 12x6-6 (6 Ply) Pneumatic	2	
<i>Tech Note: (2002 &amp; Newer):</i>					
31	<b>R48251</b>	93-4244	Tube - 4.10x350-4	1	
33	<b>R232-27</b>	232-27, 232-31	Stem - Valve w/ Cap	1	
34	<b>R98-7312</b>	98-7312	Tire & Wheel - Pneu Assy - 12 in	2	
<i>Tech Note: (2002 &amp; Newer):</i>					
<b>Other Parts Available</b>					
40	<b>R3290-384</b>	3290-384	Pin - Lynch Heavy Duty	1	
41	<b>R69-1510</b>	69-1510	Spacer - 1/2 Caster Fork	12	
42	<b>R69-6470</b>	69-6470	Bushing - Flanged	2	
43	<b>R256-254</b>	256-254	Bushing 1-1/8 x 1.375 x 1.5	4	
44	<b>R69-6860</b>	69-6860	Washer - 1/8 - Caster Wheel	12	
46	<b>R3296-53</b>	3296-53	Locknut - 5/8-11 ESNA Yellow	1	
47	<b>RF104</b>	01-166-0020, 01-166-1010, 23-15-GD, 30-8480, 3253-8, 48-9400	Washer - Lock 5/8	1	

All original equipment manufacturers names and part numbers are used for identification purposes only, and we are in no way implying that our products are original equipment parts. Prices subject to change without notice.



# Replaces Toro Groundsmaster 580-D

## Parts

Rotary Deck

Models 30591, 30592 & 30593



Item No	R&R Part No.	OEM Part No.	Description	Qty Req	Order Quantity
49	<b>R327-25</b>	327-25	Axle - Caster 5/8-11 x 7-1/2	2	
<i>Tech Note: Use with Center Deck Caster:</i>					
49	<b>R327-24</b>	327-24	Bolt - Hex HD 5/8-11 x 6	1	
<i>Tech Note: Use with Wing Deck Caster:</i>					
50	<b>R95-2741</b>	137-5552, 95-2741	Rim - Wheel Half w/o Valve Hole	1	
51	<b>R93-4239</b>	93-4239	Rim - Wheel Half w/Valve Hole	1	
52	<b>R93-4237</b>	93-4237	Bearing	2	
52	<b>R251-321</b>	1-323329, 251-321	Bearing	2	
<i>Tech Note: (Use with 1990 Model Only):</i>					
52	<b>R108-9017</b>	108-9017, 120-3366	Bearing-Stainless	2	
53	<b>R93-5980</b>	93-4238, 93-5980	Hub Assy - w/o Bearings/Spacer	1	
54	<b>R51-4060</b>	51-4060	Bolt - Blade	11	
55	<b>R67-7561</b>	67-7561	Cup - Anti-Scalp	11	
56	<b>R69-6760</b>	69-6760	Spindle	11	
57	<b>R92-9800</b>	69-6950, 69-6980, 92-9800	Spacer - Spindle	11	
58	<b>R253-154</b>	253-154	Seal - Spindle	22	
59	<b>R63-1540-03</b>	63-1540, 63-1540-03	Pulley - Idler	3	
60	<b>R3296-49</b>	3296-49	Locknut - 1 in 14	11	

All original equipment manufacturers names and part numbers are used for identification purposes only, and we are in no way implying that our products are original equipment parts. Prices subject to change without notice.



# Replaces Toro Groundsmaster 580-D

## Parts

Rotary Deck

Models 30591, 30592 & 30593



Item No	R&R Part No.	OEM Part No.	Description	Qty Req	Order Quantity
61	<b>R471219</b>	30-8360, 302-2, 302-24, 302-31, 302-52	Zerk - Grease	11	
61	<b>R700415</b>	302-2	Zerk - Grease 1/8 PTF 45 Deg	4	
62	<b>R251-332</b>	251-332	Spacer - Caster Wheels	10	
<i>Tech Note: (Fits 2002 Model Only):</i>					
62	<b>R93-4241</b>	93-4241	Spacer - Caster Wheel	1	
64	<b>R93-5630</b>	93-5630	Spacer - Front Caster Wheel	1	
65	<b>R69-6270</b>	69-6270, 75-9650	Caster Fork - Center Deck	2	
<i>Tech Note: Center Deck Caster Fork (1997 &amp; Prior):</i>					
65	<b>R98-7302-01</b>	98-7302, 98-7302-01	Fork-Castor	2	
<i>Tech Note: Center Deck Caster Fork (2002 &amp; Newer):</i>					
65	<b>R92-7752-01</b>	92-7752, 92-7752-01, 98-7300, 98-7300-01	Fork - Castor	8	
<i>Tech Note: Wing Deck Caster Fork:</i>					
65	<b>R75-9670</b>	69-6310, 75-9670	Caster Fork - Wing Decks	8	
<i>Tech Note: Wing Deck Caster Fork (1997-2001):</i>					
66	<b>R93-4242</b>	93-4242	Plate - Caster Wheel	1	
67	<b>R32128-16</b>	32128-16	Locknut - 5/16-24 Flanged Top	4	
68	<b>R3-8514</b>	3-8514	Washer	11	

All original equipment manufacturers names and part numbers are used for identification purposes only, and we are in no way implying that our products are original equipment parts. Prices subject to change without notice.



# Replaces Toro Groundsmaster 580-D

## Parts

Rotary Deck

Models 30591, 30592 & 30593



Item No	R&R Part No.	OEM Part No.	Description	Qty Req	Order Quantity
69	<b>R325-7</b>	01-150-0380, 01-178-0814, 3226-3, 325-7, 48-9490	Bolt - 1/2-13 x 1 3/4 Hex HD Gr 5	1	
70	<b>R32128-23</b>	32128-23, 3218-23, 99-5107	Nut - Lock Hex Flanged 1/2-13	4	
71	<b>R32108-103</b>	32108-103	Bolt - 5/16-18 x 1 1/4 Fl HD Ph	4	
72	<b>R69-9290</b>	69-9290	Pad - Bumper	2	
73	<b>R445722</b>	30-8980, 32128-2, 32128-20, 32128-20	Nut - Serrated Washer	4	
74	<b>R325-20</b>	01-150-1250, 01-178-0848, 325-20	Bolt - Hx HD 1/2-13 x 6	11	
75	<b>R700414</b>	302-11, 302-19, 302-4, 32-8170	Zerk - Grease 1/4-28 45 Deg	4	
75	<b>R302-5</b>	21-6010, 302-11, 302-37, 302-47, 302-5, 302-57, 302-58, 302-6, 31-0300, 32-9660, 60-0800, 62-3880, 92-4181	Fitting - Grease	4	
76	<b>R117-4764</b>	117-4764, 43-8480	Decal - Danger	3	
77	<b>R322-41</b>	322-41	Bolt - Hx HD	2	

All original equipment manufacturers names and part numbers are used for identification purposes only, and we are in no way implying that our products are original equipment parts. Prices subject to change without notice.



# Replaces Toro Groundsmaster 580-D

## Parts

Rotary Deck

Models 30591, 30592 & 30593



Item No	R&R Part No.	OEM Part No.	Description	Qty Req	Order Quantity
78	<b>RP457-2</b>	01-191-0518, 22-12-AJK, 3218-2, 513299, P457-2	Nut - Jam 5/16-18 Zinc	8	
79	<b>R3218-7</b>	01-158-0560, 01-191-1210, 3218-7	Nut - Jam	1	
80	<b>R69-5430-03</b>	69-5430, 69-5430-03	Pulley - Idler - Flat	2	
81	<b>R325-8</b>	01-150-0590, 01-178-0816, 20-89-AGD, 3226-4, 325-8	Bolt	4	
82	<b>R32120-2</b>	32120-2	Ring - Retaining	4	

All original equipment manufacturers names and part numbers are used for identification purposes only, and we are in no way implying that our products are original equipment parts. Prices subject to change without notice.