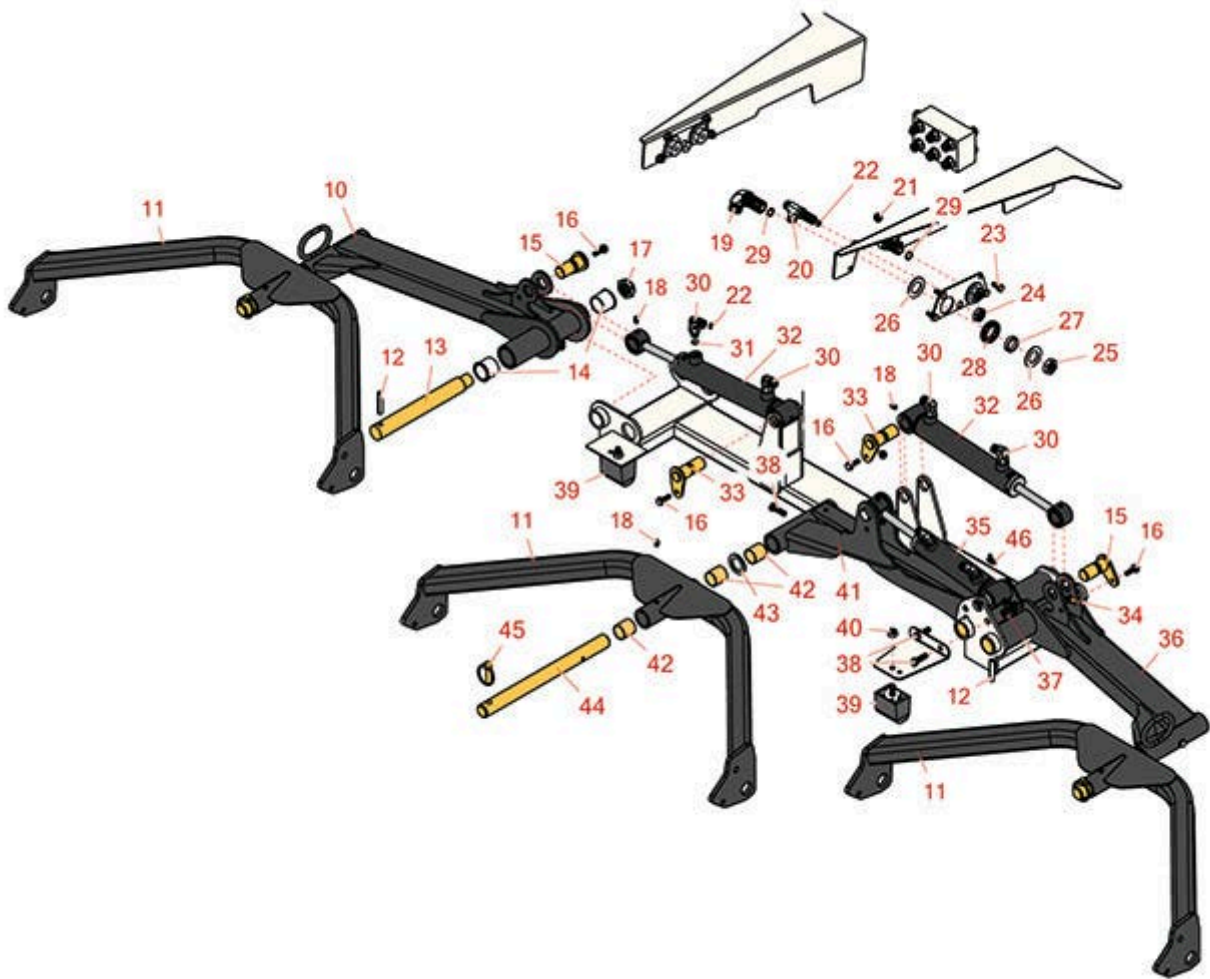
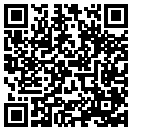




Replaces Toro Groundsmaster 4500-D

Parts

Traction Unit
Front Lift Arm



All original equipment manufacturers names and part numbers are used for identification purposes only, and we are in no way implying that our products are original equipment parts. Prices subject to change without notice.



Replaces Toro Groundsmaster 4500-D

Parts

Traction Unit
Front Lift Arm



| Item No | R&R Part No. | OEM Part No. | Description | Qty Req | Order Quantity |
|---------|-------------------|--|---------------------------|---------|----------------|
| 10 | R108-4034 | 108-4034 | No. 5 Liftarm Assy | 1 | |
| 11 | R115-3453 | 104-5656, 115-3453 | Carrier Frame Assy | 3 | |
| 12 | R32121-110 | 32121-110 | Roll Pin - Slotted | 3 | |
| 13 | R95-7158 | 95-7158 | Pin - Pivot | 3 | |
| 14 | R104-0015 | 104-0015, 104-8339 | Bushing - Flanged | 6 | |
| 15 | R104-5525 | 104-5525, 131-4201, 131-4201` | Cylinder Pin Assy | 3 | |
| 16 | R3234-29 | 3234-17, 3234-29 | Bolt - 5/16-18x1 Serr Hex | 6 | |
| 17 | R3296-49 | 3296-49 | Locknut - 1 in 14 | 3 | |
| 18 | R302-5 | 21-6010, 302-11, 302-37, 302-47, 302-5, 302-57, 302-58, 302-6, 31-0300, 32-9660, 60-0800, 62-3880, 92-4181 | Fitting - Grease | 11 | |
| 19 | R340-72 | 340-72, 96-0865 | Fitting-Bulkhead, | 1 | |
| 20 | R340-68 | 340-120, 340-68 | Fitting - Tee - Bulkhead | 1 | |

Tech Note: 2002-2014 Only:

All original equipment manufacturers names and part numbers are used for identification purposes only, and we are in no way implying that our products are original equipment parts. Prices subject to change without notice.



Replaces Toro Groundsmaster 4500-D

Parts

Traction Unit
Front Lift Arm



| Item No | R&R Part No. | OEM Part No. | Description | Qty Req | Order Quantity |
|-----------------------------------|-----------------|---|-----------------------------|---------|----------------|
| 21 | R445722 | 30-8980, 32128-2, 32128-20, 32128-20 , 445722 | Nut - Serrated Washer | 8 | |
| 22 | R237-22 | 107-8844, 237-22, 237-78 | O-Ring | 9 | |
| <i>Tech Note: 2002-2014 Only:</i> | | | | | |
| 23 | R322-3 | 01-150-1420, 01-178-0506, 20-24-AD, 20-24-AGD, 322-3, 48-9270, 513339, 908017P | Bolt - Hex HD 5/16-18 x 3/4 | 8 | |
| 24 | R340-70 | 340-70 | Nut - Lock | 2 | |
| 25 | R340-74 | 340-74 | Locknut - Bulkhead | 5 | |
| 26 | R69-9010 | 69-9010, 9-9010 | Washer | 10 | |
| 27 | R69-9000 | 125-1984, 69-9000 | Spacer | 5 | |
| 28 | R240-3 | 240-3 | Grommet- Rubber | 5 | |
| 29 | R237-65 | 237-65, 237.65 | O-Ring | 6 | |
| 30 | R340-77 | 340-100, 340-77, 95-7889 | Hydraulic Fitting | 6 | |
| 31 | R237-42 | 237-42, 31-4160 | O-Ring | 6 | |

All original equipment manufacturers names and part numbers are used for identification purposes only, and we are in no way implying that our products are original equipment parts. Prices subject to change without notice.



Replaces Toro Groundsmaster 4500-D

Parts

Traction Unit
Front Lift Arm



| Item No | R&R Part No. | OEM Part No. | Description | Qty Req | Order Quantity |
|-----------------------------------|------------------|---|----------------------------------|---------|----------------|
| 32 | R107-1979 | 104-5527, 107-1979, 127-6429 | Cylinder - Lift | 2 | |
| <i>Tech Note: 2002-2015 Only:</i> | | | | | |
| 33 | R105-9889 | 105-9889, 125-1906 | Cylinder Pin Assy | 3 | |
| <i>Tech Note: 2002-2015 Only:</i> | | | | | |
| 34 | R104-8300 | 104-8300, 104-8300 , 119-4041 | Locknut - 5/16-18 Flanged Y/Zinc | 6 | |
| 35 | R107-1980 | 104-5528, 107-1980, 127-6427 | Cylinder - Lift | 1 | |
| <i>Tech Note: 2002-2015 Only:</i> | | | | | |
| 36 | R108-4033 | 108-4033 | No. 4 Lift Arm Assy | 1 | |
| 37 | R104-8301 | 104-8301, 104-9301, 109-6658, 133-7570 | Locknut - 3/8-16 Nylon Flanged | 2 | |
| 38 | R400264 | 01-150-0180, 01-178-0610, 20-48-AD, 20-48-AGD, 32-9160, 3224-3, 323-29, 323-7, 400264, 908035P | Bolt - Hex HD 3/8-16 x 1-1/4 | 5 | |
| 39 | R87-3470 | 87-3470 | Bumper - Rubber | 2 | |
| 40 | R33025-00 | 32025-00, 33025-00 | Locknut - 10mm x 1.5 Jam | 2 | |
| 41 | R108-4032 | 108-4032 | No. 1 Liftarm Assy | 1 | |

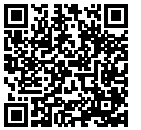
All original equipment manufacturers names and part numbers are used for identification purposes only, and we are in no way implying that our products are original equipment parts. Prices subject to change without notice.



Replaces Toro Groundsmaster 4500-D

Parts

*Traction Unit
Front Lift Arm*



| Item No | R&R Part No. | OEM Part No. | Description | Qty Req | Order Quantity |
|---------|------------------|--------------|--------------------------------|---------|----------------|
| 42 | R108-4000 | 108-4000 | Bushing | 12 | |
| 43 | R3-6781 | 3-6781 | Washer - Thrust - Castor Wheel | 3 | |
| 44 | R108-4023 | 108-4023 | Shaft - Carrier - Pivot | 3 | |
| 45 | R283-71 | 283-71 | Pin - Lynch Heavy Duty | 3 | |
| 46 | R302-60 | 302-60 | Zerk - Grease 90 Deg. | 1 | |

All original equipment manufacturers names and part numbers are used for identification purposes only, and we are in no way implying that our products are original equipment parts. Prices subject to change without notice.