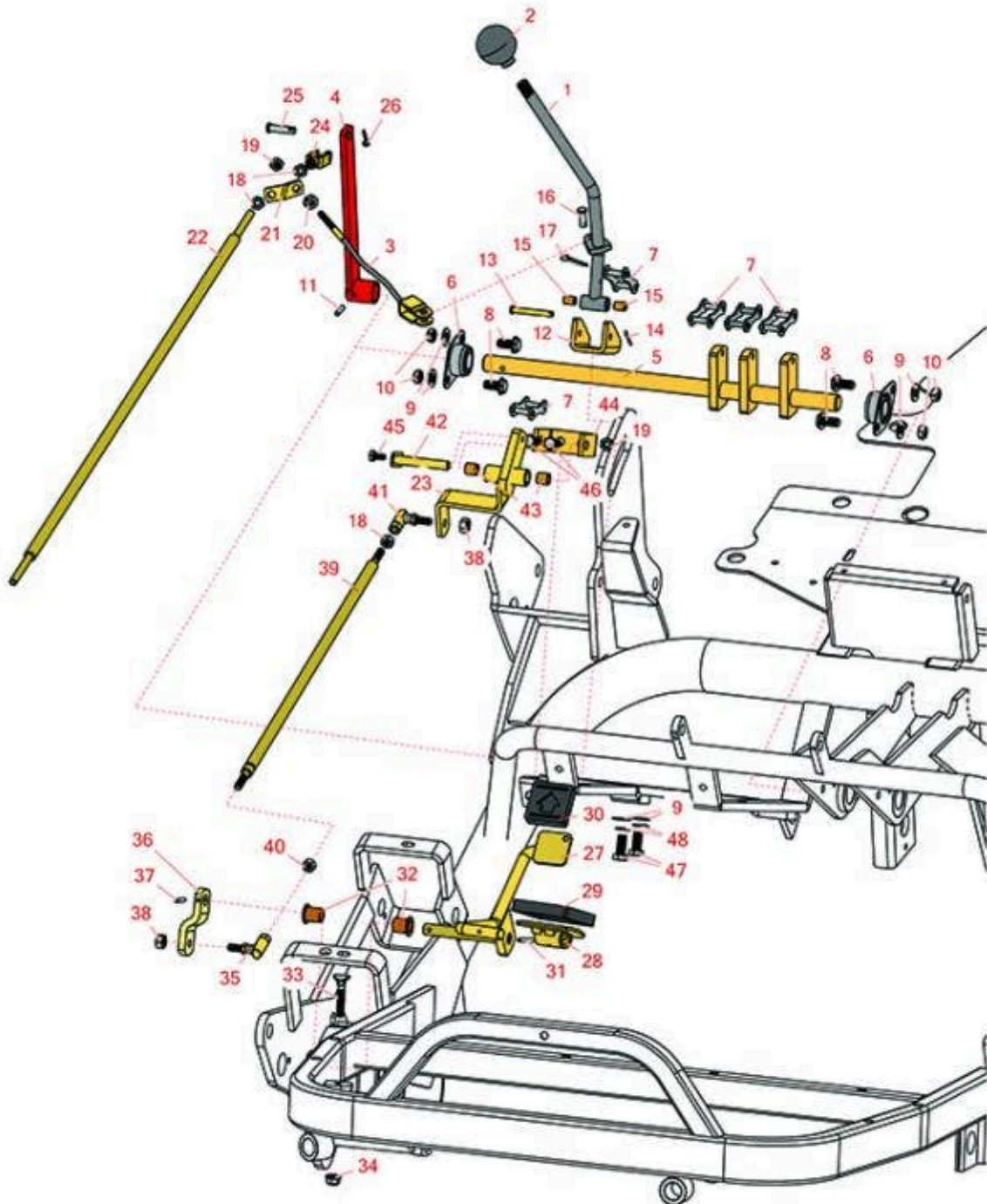




# Replaces Toro Greensmaster 3050 Parts

Traction Unit - Model 04351

Traction Control



All original equipment manufacturers names and part numbers are used for identification purposes only, and we are in no way implying that our products are original equipment parts. Prices subject to change without notice.



# Replaces Toro Greensmaster 3050 Parts

*Traction Unit - Model 04351*

*Traction Control*



Item No	R&R Part No.	OEM Part No.	Description	Qty Req	Order Quantity
1	<b>R93-9934</b>	93-9934, 93-9934-01	Traction Handle	1	
2	<b>R233-48</b>	233-24, 233-48, 30-3370	Knob	1	
3	<b>R93-9937</b>	93-9937	Traction Cable Assy	1	
4	<b>R47-5320-01</b>	47-5320, 47-5320-01	Lever Assy - Traction Control	1	
5	<b>R44-0870</b>	44-0870	Cam Shaft Assy - Traction Control	1	
6	<b>R27-2320</b>	27-2320	Bearing	2	
7	<b>R57-6220</b>	57-6220	Link - Connecting	5	
8	<b>R3234-1</b>	321-11, 3234-1	Bolt - Flanged Serrated Hex HD 3/8-16 x 3/4	4	

All original equipment manufacturers names and part numbers are used for identification purposes only, and we are in no way implying that our products are original equipment parts. Prices subject to change without notice.



# Replaces Toro Greensmaster 3050 Parts

Traction Unit - Model 04351

Traction Control



Item No	R&R Part No.	OEM Part No.	Description	Qty Req	Order Quantity
9	<b>R453011</b>	01-166-0100, 01-166-0120, 01-166-0270, 01-166-0500, 01-166-0600, 01-166-0620, 132-4593, 2356-3, 237-12, 24-10-AD, 24-11-AD, 24-11-BD, 24-12-AD, 24-12-BD, 30-9310, 32-8190, 3256-24, 3256-3, 3256-36, 3256-4, 453011, 47-9950, 48-9220, 513458, 7-0052	Washer - Flat 3/8 SAE Y/Zinc	6	
10	<b>R444850</b>	3296-59	Nut - 3/8-16 Jam Center Lock	4	
11	<b>R32121-6</b>	32121-6	Pin - Roll 3/16 x 1-1/4	1	
12	<b>R49-6220</b>	49-6220	Bracket - Arm	1	
13	<b>R1023-3</b>	283-57	Pin - Clevis 1/4 x 1-7/8	1	
14	<b>R1023-4</b>	01-151-0150, 1023-4, 19-6220, 214-14, 215-54, 28-9-D, 3272-4, 3272-6, 513567, 932008P	Pin - Cotter 3/32 x 3/4	1	
15	<b>R256-251</b>	256-251	Bushing	2	

All original equipment manufacturers names and part numbers are used for identification purposes only, and we are in no way implying that our products are original equipment parts. Prices subject to change without notice.



# Replaces Toro Greensmaster 3050 Parts

*Traction Unit - Model 04351*

*Traction Control*



Item No	R&R Part No.	OEM Part No.	Description	Qty Req	Order Quantity
16	<b>R283-62</b>	283-62	Pin - Clevis 5/16 x 3/4	1	
17	<b>R3272-10</b>	01-151-0120, 105-7512, 3272-10, N/A	Pin - Cotter 1/8 x 3/4	1	
18	<b>R3220-2</b>	01-191-0524, 3220-2	Nut - Jam - 5/16-24	4	
19	<b>R3296-29</b>	1-804256, 3290-357, 3296-29, 915662P	Locknut - 5/16-18 ESNA	3	
20	<b>R443106</b>	01-188-0518, 22-12-AJD, 32111-4, 3217-4, 3217-6, 3218-2, 513295, 513412, 915112P, 915978, 915979	Nut - 5/16-18 Y/Zinc Plated	1	
21	<b>R93-9936</b>	93-9936	Bracket - Traction Cable	1	
22	<b>R49-5430</b>	49-5430	Control Rod - Cutting Lever	1	
23	<b>R49-6260</b>	49-6260, 49-6260-01	Pivot Assy	1	
24	<b>R282-2</b>	1-303105, 282-2	Yoke	1	
25	<b>R283-61</b>	283-61, 86-2140, N/A, R3296-12	Pin - Clevis 5/16 x 1-1/8	1	
26	<b>R460012</b>	3272-6	Pin - Cotter 3/32 x 3/4	1	

All original equipment manufacturers names and part numbers are used for identification purposes only, and we are in no way implying that our products are original equipment parts. Prices subject to change without notice.



# Replaces Toro Greensmaster 3050 Parts

*Traction Unit - Model 04351*

*Traction Control*



Item No	R&R Part No.	OEM Part No.	Description	Qty Req	Order Quantity
27	<b>R83-0540G</b>	83-0540, 83-0540-01	Traction Pedal Assy - Plated	1	
28	<b>R49-6440-03</b>	117-9507, 49-6440, 49-6440-03	Pedal - Forward Assy	1	
29	<b>R74-9100</b>	74-9100	Rubber Foot Pad - Forward	1	
30	<b>R74-9110</b>	74-9110	Rubber Foot Pad - Reverse	1	
31	<b>R32121-45</b>	32121-113, 32121-45, 32121-92	Pin - Spring Roll 5/32 x 1	1	
32	<b>R256-155</b>	256-155, 265-155	Bushing - Flanged	2	
33	<b>R17-9420</b>	17-9420, 17-9426, 49-6480	Bolt - Contour Plow Bolt	1	
34	<b>R445722</b>	30-8980, 32128-2, 32128-20, 32128-20 , 445722	Nut - Serrated Washer	1	
35	<b>R2411-42</b>	2411-42	Ball Joint - LH	1	
36	<b>R83-0630</b>	83-0630	Traction Arm - Pivot	1	
37	<b>R32121-51</b>	32121-51	Pin - Spring Roll 5/32 x 1-1/8	1	
38	<b>R444754</b>	01-189-0518, 3296-4	Locknut - 5/16-24 Center	2	
39	<b>R83-0580</b>	83-0580	Rod - Control - Traction	1	
40	<b>R3220-20</b>	3220-20	Nut - Jam - 5/16-24 LH	1	
41	<b>R2411-43</b>	2411-33, 2411-43, 37-9570	Ball Joint - RH	1	

All original equipment manufacturers names and part numbers are used for identification purposes only, and we are in no way implying that our products are original equipment parts. Prices subject to change without notice.



# Replaces Toro Greensmaster 3050 Parts

Traction Unit - Model 04351

Traction Control



Item No	R&R Part No.	OEM Part No.	Description	Qty Req	Order Quantity
42	<b>R49-6290</b>	49-6290, 49-6300, 49-6310	Pin	1	
43	<b>R256-2</b>	256-2	Bushing - Idler Pulley	2	
44	<b>R49-6250</b>	49-6250	Bracket - Pivot	1	
45	<b>R12-3270</b>	12-3270, 30-0700, 32104-17, 9266714, Aug-80	Bolt - Hex Washer 1/4-20 x 1/2	1	
46	<b>R322-5</b>	01-178-0508, 20-26-AD, 20-26-AGD, 30-9000, 322-5, 513341, 519755, 908019P, N/A	Bolt - Hex HD 5/16-18 x 1	2	
47	<b>R3211-2</b>	3211-2	Bolt - Hex HD 3/8-24 x 3/4 GR8	2	
48	<b>R3254-6</b>	01-166-0010, 01-166-0280, 01-166-0610, 3253-5, 3254-18, 3254-6, 3290-223, 48-9370	Washer - Lock 3/8	2	

All original equipment manufacturers names and part numbers are used for identification purposes only, and we are in no way implying that our products are original equipment parts. Prices subject to change without notice.