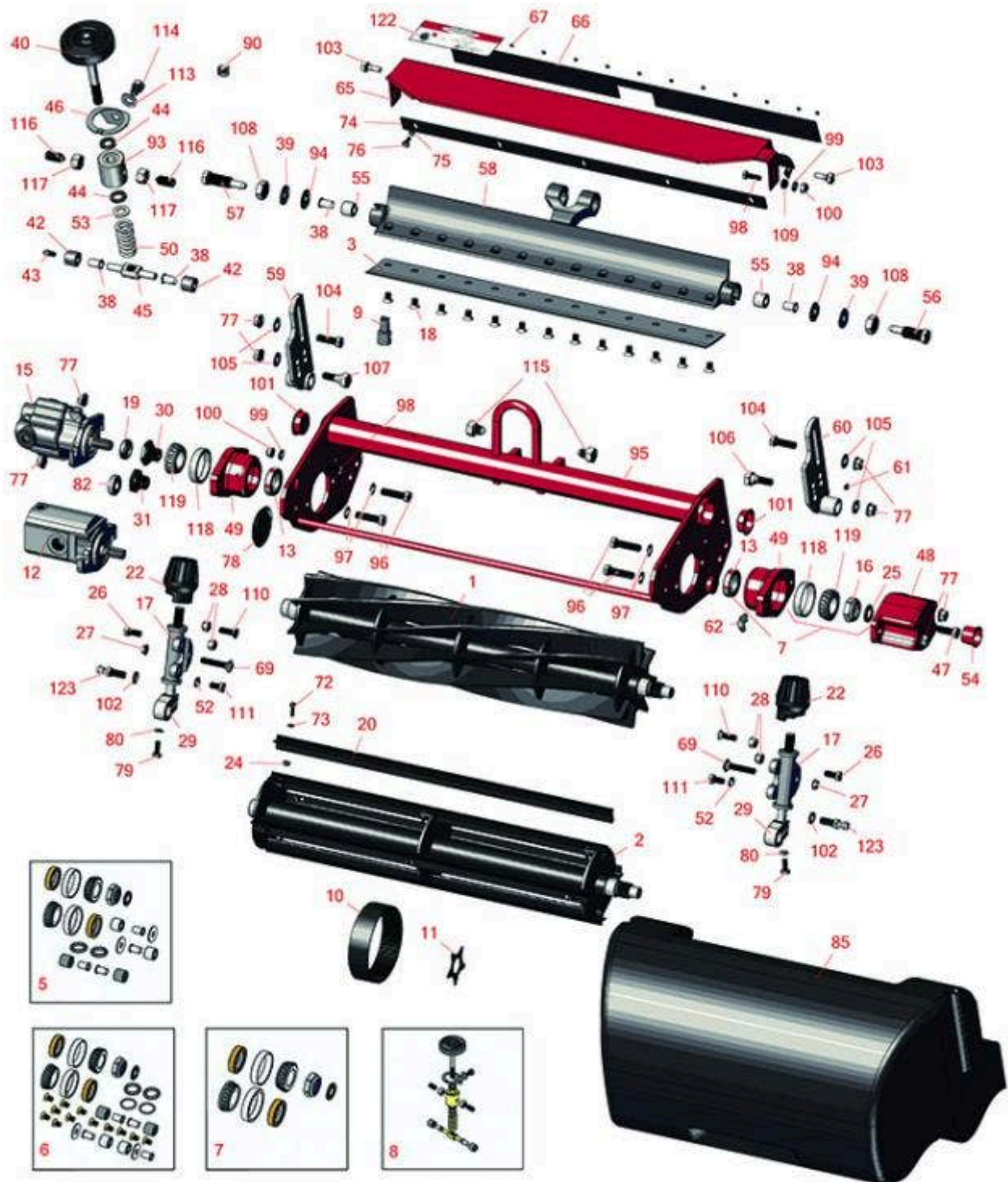




Replaces Toro Greensmaster 3050 Parts

SPA Cutting Unit - Models 04460 & 04465

Reel & Bedknife



All original equipment manufacturers names and part numbers are used for identification purposes only, and we are in no way implying that our products are original equipment parts. Prices subject to change without notice.



Replaces Toro Greensmaster 3050 Parts

SPA Cutting Unit - Models 04460 & 04465

Reel & Bedknife



Item No	R&R Part No.	OEM Part No.	Description	Qty Req	Order Quantity
R&R Reels, Lifetime Guaranteed					
1	R150760		Reel - 14 Blade	1	
1	R12-2789	12-2789, 130-6470	Reel - 11 Blade	1	
1	R5-3195	5-3195	Reel - 9 Blade	1	
1	R5-3189	12-3599, 130-6469, 5-3189	Reel - 8 Blade	1	
1	R5-3189H		Reel - 8 Blade Heavy Duty	1	
1	R5-3206	5-3206	Reel - 6 Blade	1	
1	R5-3205	12-0729, 12-8779, 5-3205	Reel - 5 Blade	1	
1	R5-3215	5-3215	Reel - 5 Blade Heavy Duty	1	
1	R5-3200	5-3200	Reel - 4 Blade	1	
2	R150480		Brush Reel	1	
R&R Bedknives, Lifetime Guaranteed					
3	R150466	63-8600, 64-6393, 94-6393	Bedknife - Super Thick .312 - 1.00 HOC	1	
3	R94-6392	62-2500, 94-6392	Bedknife - High Cut .312 - 1.00 HOC	1	
3	R93-4264	57-4960, 63-8470, 93-4264	Bedknife - Low Cut .187 - 1.00 HOC	1	
3	R93-4263	63-8560, 66-9320, 93-4263, 93-6039	Bedknife - Tournament Cut .125 - .500 HOC	1	

All original equipment manufacturers names and part numbers are used for identification purposes only, and we are in no way implying that our products are original equipment parts. Prices subject to change without notice.



Replaces Toro Greensmaster 3050 Parts

SPA Cutting Unit - Models 04460 & 04465
Reel & Bedknife



Item No	R&R Part No.	OEM Part No.	Description	Qty Req	Order Quantity
3	R93-4262	65-8250, 93-4262, 93-4263	Bedknife - Micro Cut .062 - .187 HOC	1	

R&R Razor Tool Steel Bedknives

3	R115-1881	115-1881	Bedknife - Razor Tool Steel - 21 Tournament Cut .125 - .500 HOC	1	
---	------------------	----------	---	---	--

Tech Note: Razor Tool Steel Bedknives are constructed from high grade tool steel for extended life and optimum cut.:

3	R115-1880	115-1880	Bedknife - Razor Tool Steel - 21 Micro Cut .062 - .187 HOC	1	
---	------------------	----------	--	---	--

Tech Note: Razor Tool Steel Bedknives are constructed from high grade tool steel for extended life and optimum cut.:

Overhaul Kits & Service Tools

5	R255-310	255-310	Overhaul Kit - Cutting Unit	0	
---	-----------------	---------	-----------------------------	---	--

Tech Note: Includes 4 ea: R52-2890 Bushings; 2 ea: R237-77 O-Rings, R253-96 Seals, R254-72 Cups, R254-94 Bearings, R52-2900 Washers, R57-5280 Bearings, R62-5510 Bushings, R63-9510 Bushings; 1 ea: R253-61 Seal & R32127-46 Locknut:

6	R13-3659	13-3659	Overhaul Kit - Cutting Unit	0	
---	-----------------	---------	-----------------------------	---	--

Tech Note: Includes 13 ea.:R150477 Screws; 4 ea.: R52-2890 Bushings; 2 ea.: R237-77 O-rings, R253-96 Seals, R254-72 Bearing Cups, R254-94 Bearings, R52-2900 Washers, R57-5280 Bearings, R62-5510 Bushings, R63-9510 Bushings; 1 ea.: R253-61 Seal & R32127-46 Locknut:

7	R107-1590	107-1590	Overhaul Kit - Cutting Unit	0	
---	------------------	----------	-----------------------------	---	--

Tech Note: Includes 2 ea.: R253-96 Seals, R254-72 Bearing Cups, R254-94 Bearings; 1 ea.: R253-61 Seal & R32127-46 Locknut:

8	R255-311	255-311	Kit - Micro Adjusting	0	
---	-----------------	---------	-----------------------	---	--

Tech Note: Includes 2 ea: R443818 Nut, R52-2890 Bushing, R57-5190 Screw, R62-5510 Bushing, R77-0350 Retainer; 1 ea: R187-0 Washer, R257-5 Washer, R52-2990 Bolt, R57-5260 Pivot, R66-7220 Arm, R66-7230 Spring, R77-0300 Handle, R77-0330 Housing:

9	R51-0880	51-0880	Bedknife Screw Driver Tool	0	
---	-----------------	---------	----------------------------	---	--

All original equipment manufacturers names and part numbers are used for identification purposes only, and we are in no way implying that our products are original equipment parts. Prices subject to change without notice.



Replaces Toro Greensmaster 3050 Parts

SPA Cutting Unit - Models 04460 & 04465

Reel & Bedknife



Item No	R&R Part No.	OEM Part No.	Description	Qty Req	Order Quantity
Belts					
10	R65-9700	65-9700	Belt - Groomer	1	
Rotary Blades					
11	R70-1170	70-1170	Verti-Cut Blade - 2-3/8 w/7/8 Hex	41	
11	R110-2393	110-2393	Verti-Cut Blade - 2-3/8 w/7/8 Hex Carbide Tipped	41	
Other Parts Available					
12	R120-2072	100-6426, 108-6487, 112-9200, 120-2072, 93-1375	Hydraulic Gear Motor	1	
<i>Tech Note: Fits Models 3150 & 3250-D:</i>					
13	R253-96	253-96	Seal - Oil Single Lip Reel	2	
15	R105-9770	10-5090, 105-9770, 26-5690, 70-9800, 94-3506, 94-3507	Hydraulic Motor - Reel Quick Release	1	
<i>Tech Note: Fits Models 3000 & 3050:</i>					
16	R32127-46	32127-46, 3296-60	Locknut	1	
17	R65-9490	65-9490, R65-9490	Bracket - HOC Fits Groomer	2	
18	R150477	57-4910	Screw - Bedknife 5/16-18 x 1/2	13	
18	R150476	3-3816, 3-6462, 52-4910, 57-4910	Screw - Bedknife 5/16-18 x 5/8	13	

All original equipment manufacturers names and part numbers are used for identification purposes only, and we are in no way implying that our products are original equipment parts. Prices subject to change without notice.



Replaces Toro Greensmaster 3050 Parts

SPA Cutting Unit - Models 04460 & 04465

Reel & Bedknife



Item No	R&R Part No.	OEM Part No.	Description	Qty Req	Order Quantity
19	R353-585	353-585, 353-587, 354-34, 72-4380, 75-1210, 75-1270, 92-8863, 92-8864	Seal - High Pressure - Reel Motor	1	
20	R150481		Brush Assy - Brush Reel	4	
22	R65-8600	10-5040, 65-8600	Knob - Height Adjusting	2	
24	R3296-9	32127-17, 3296-9	Locknut - Comb	12	
25	R253-61	253-61	Seal - Oil Reel	1	
26	R322-3	01-150-1420, 01-178-0506, 20-24-AD, 20-24-AGD, 322-3, 48-9270, 513339, 908017P	Bolt - Hex HD 5/16-18 x 3/4	2	
27	R445795	30-4020, 32128-25, 445795	Nut - 5/16-18 Flanged	2	
28	R3296-47	3296-47	Locknut - 5/16-18 Jam Nyloc	2	
29	R65-9500	65-9500	Screw - Roller Adjusting - High Cut	2	
30	R77-0340	77-0340	Nut - Splined Reel	1	
30	R77-0560	77-0560	Nut - Splined Fits Groomer	1	
31	R93-1394	93-1394	Nut - Splined RH Thrd .812 Long	1	
38	R52-2890	52-2890	Bushing - Flanged	4	
39	R52-2900	52-2900	Washer - Nylon	2	

All original equipment manufacturers names and part numbers are used for identification purposes only, and we are in no way implying that our products are original equipment parts. Prices subject to change without notice.



Replaces Toro Greensmaster 3050 Parts

SPA Cutting Unit - Models 04460 & 04465

Reel & Bedknife



Item No	R&R Part No.	OEM Part No.	Description	Qty Req	Order Quantity
40	R77-0300	77-0300, 77-0300-01	Handle Assy	1	
42	R62-5510	52-2870, 62-5510	Bushing	4	
43	R302-18	302-18	Zerk - Grease Press Style	2	
44	R77-0350	77-0350	Retainer - Bearing	2	
45	R57-5260	107-7409, 57-5260	Pivot - 1/2-20 - Bed Bar	1	
46	R66-7220	66-7220	Arm - Spring Handle Assy	1	
47	R323-2	01-178-0604, 323-2	Bolt - Hex HD 3/8-16 x 1	1	
48	R10-5080	10-5080, 10-5080-01	End - Cap Reel Brg Housing	1	
49	R10-5120	10-5120	Housing - Bearing Reel	2	
<i>Tech Note: Includes R253-96 & R254-72:</i>					
50	R66-7230	66-7230	Spring - Compression	1	
52	R3253-4	01-166-0110, 01-166-0510, 23-10-GD, 24-7170, 30-8520, 3253-4, 42-9850, 48-9350, 48-9360, 48-9570, 68-9420, 99-7577	Washer - Lock 5/16 Zinc	2	
53	R257-5	257-5	Washer - Thrust	2	
54	R12-0460	12-0460	Caplug - End Cap	1	

All original equipment manufacturers names and part numbers are used for identification purposes only, and we are in no way implying that our products are original equipment parts. Prices subject to change without notice.



Replaces Toro Greensmaster 3050 Parts

SPA Cutting Unit - Models 04460 & 04465

Reel & Bedknife



Item No	R&R Part No.	OEM Part No.	Description	Qty Req	Order Quantity
55	R63-9510	63-9480, 63-9510	Bushing - Rubber For Bed Bar	2	
56	R52-2910	52-2910	Bolt - Eccentric Bed Bar	1	
57	R52-2930	52-2930	Bolt - Bed Bar	1	
58	R57-4940	52-2780, 57-4940, 57-4940-01	Bed Bar - 13 Hole	1	
59	R52-3060	52-3060, 77-1060, 99-5653	Bracket - RH Rear Roller	1	
60	R52-3090	52-3090, 77-1080, 99-5654	Bracket - LH Rear Roller	1	
61	R3290-125	3290-125	Screw - Set 1/4-20 x 5/16	2	
62	R302-40	302-13, 302-40	Fitting - Grease	1	
65	R57-5200	57-5200	Shield - Grass	1	
66	R57-5210	57-5210	Deflector - Styrene	1	
67	R3295-46	3295-46	Tube - Rivet Smi Grass Shield	13	
69	R441674	01-173-0514, 01-173-0516, 3-7253, 3230-5	Screw - 5/16-18 x 1-3/4 Carriage	2	
72	R150425		Bolt - Hex HD 8-32 x 5/8	12	
73	R150426	3256-21	Washer - 8 SAE	12	
74	R36-7260	36-7260	Bar - Cut Off Grass Shield	1	

All original equipment manufacturers names and part numbers are used for identification purposes only, and we are in no way implying that our products are original equipment parts. Prices subject to change without notice.



Replaces Toro Greensmaster 3050 Parts

SPA Cutting Unit - Models 04460 & 04465

Reel & Bedknife



Item No	R&R Part No.	OEM Part No.	Description	Qty Req	Order Quantity
75	R3256-14	24-7-BD, 32125-2, 3256-14, 3256-51, 51-2170	Washer - 10 Flat	5	
76	R32144-73	104-2065, 32144-73	Screw - Machine Hex Washer Head	5	
77	R3296-39	32127-25, 32128-36, 3290-357, 3296-17, 3296-22, 3296-39, 915663P, 99-7443	Locknut - 3/8-16 Nylon	2	
78	R150485	2410-30, 2410-30OSS	Cap - Protective Bearing Housing	1	
79	R321-4	01-150-1030, 01-178-0406, 20-3-AGD, 321-4, 3222-1	Bolt - Hex HD 1/4-20 x 3/4	4	
80	R3253-3	01-166-0070, 01-166-0410, 23-9-GD, 24-7150, 3253-3, 3256-1, 352-167	Washer - Lock 1/4	4	
82	R251-328	251-328	Bearing - Groomer	2	
85	R36-7250	22-7070, 36-7250, 37-8130, Oct-30	Grass Basket	3	
90	R65-9940	65-9940	Spring	1	
93	R77-0330	77-0330	Housing - Pivot Spa	1	

All original equipment manufacturers names and part numbers are used for identification purposes only, and we are in no way implying that our products are original equipment parts. Prices subject to change without notice.



Replaces Toro Greensmaster 3050 Parts

SPA Cutting Unit - Models 04460 & 04465

Reel & Bedknife



Item No	R&R Part No.	OEM Part No.	Description	Qty Req	Order Quantity
94	R52-2860	119-4150, 52-2860	Washer - Bed Bar Pivot	1	
95	R70-1200	70-1200, 70-1200-01	Frame - Single Point Adj.	1	
96	R3290-316	3290-316, 57-3210	Bolt - Hex Tap 3/8-16 x 1-1/2	4	
97	R3255-9	3255-9	Washer - Lock 3/8 Ext. Star	4	
98	R321-5	321-31, 321-5	Bolt - Hex HD 1/4-20 x 7/8	2	
99	R3256-22	24-9-BD, 3-1032, 3256-1, 3256-22, 93-0954, 93-0989	Washer - Flat 1/4 Yellow	4	
100	R301504	2296-42, 301504, 32127-24, 32128-33, 32146-17, 3296-16, 3296-42, 3296-42 , 915661P	Locknut - ESNA 1/4-20	2	
101	R285-14	285-14	Plug - Pipe Frame	2	
102	R3254-6	01-166-0010, 01-166-0280, 01-166-0610, 3253-5, 3254-18, 3254-6, 3290-223, 48-9370	Washer - Lock 3/8	2	
103	R57-9910	57-9910	Bolt - Pivot	2	

All original equipment manufacturers names and part numbers are used for identification purposes only, and we are in no way implying that our products are original equipment parts. Prices subject to change without notice.



Replaces Toro Greensmaster 3050 Parts

SPA Cutting Unit - Models 04460 & 04465

Reel & Bedknife



Item No	R&R Part No.	OEM Part No.	Description	Qty Req	Order Quantity
104	R400264	01-150-0180, 01-178-0610, 20-48-AD, 20-48-AGD, 32-9160, 3224-3, 323-29, 323-7, 400264, 908035P	Bolt - Hex HD 3/8-16 x 1-1/4	2	
105	R453011	01-166-0100, 01-166-0120, 01-166-0270, 01-166-0500, 01-166-0600, 01-166-0620, 132-4593, 2356-3, 237-12, 24-10-AD, 24-11-AD, 24-11-BD, 24-12-AD, 24-12-BD, 30-9310, 32-8190, 3256-24, 3256-3, 3256-36, 3256-4, 453011, 47-9950, 48-9220, 513458, 7-0052	Washer - Flat 3/8 SAE Y/Zinc	4	
106	R52-3100	52-3100	Bolt - Eccentric Shoulder LH	1	
107	R52-3110	52-3110	Bolt - Shoulder HOC RH	1	
108	R443828	01-191-1018, 3214, 3220-6, 443828, 915089P	Nut - 5/8-18 Hex	2	

All original equipment manufacturers names and part numbers are used for identification purposes only, and we are in no way implying that our products are original equipment parts. Prices subject to change without notice.



Replaces Toro Greensmaster 3050 Parts

SPA Cutting Unit - Models 04460 & 04465

Reel & Bedknife



Item No	R&R Part No.	OEM Part No.	Description	Qty Req	Order Quantity
109	R237-84	237-84	Grommet - Rubber	2	
110	R32108-20	32108-20	Screw - Flat HD Cntrsunk	2	
111	R322-2	322-2, 513338P	Bolt - Hex HD 5/16-18 x 5/8	4	
113	R187-0	3256-25, 7-0032	Washer - Flat 7/16 SAE	1	
114	R52-2990	324-25, 52-2990	Bolt - Spring Retainer	1	
115	R66-7240	66-7240	Bolt - Single Point Adjust.	2	
116	R57-5190	32110-19, 57-5190	Screw - Adjusting	2	
117	R443818	01-191-0813, 3218-18, 3218-5, 3248-18	Nut - 1/2-13 Hex Jam Zinc	2	
118	R254-72	01-103-0050, 01-103-0120, 01-103-0140, 1-543508, 254-71, 254-72, 40439, 62-3340, 99-4511	Cup - Bearing	2	
119	R254-94	1-543509, 254-94, 32-8090, 32-8240, 32-9640, 40440, 62-3330	Tapered Bearing Cone	2	
122	R354083	104-7729, 354083	Decal - Danger	1	
123	R94-2958	94-2958	Stud - Alloy Ball Joint	2	

All original equipment manufacturers names and part numbers are used for identification purposes only, and we are in no way implying that our products are original equipment parts. Prices subject to change without notice.



Replaces Toro Greensmaster 3050 Parts

SPA Cutting Unit - Models 04460 & 04465

Reel & Bedknife



All original equipment manufacturers names and part numbers are used for identification purposes only, and we are in no way implying that our products are original equipment parts. Prices subject to change without notice.