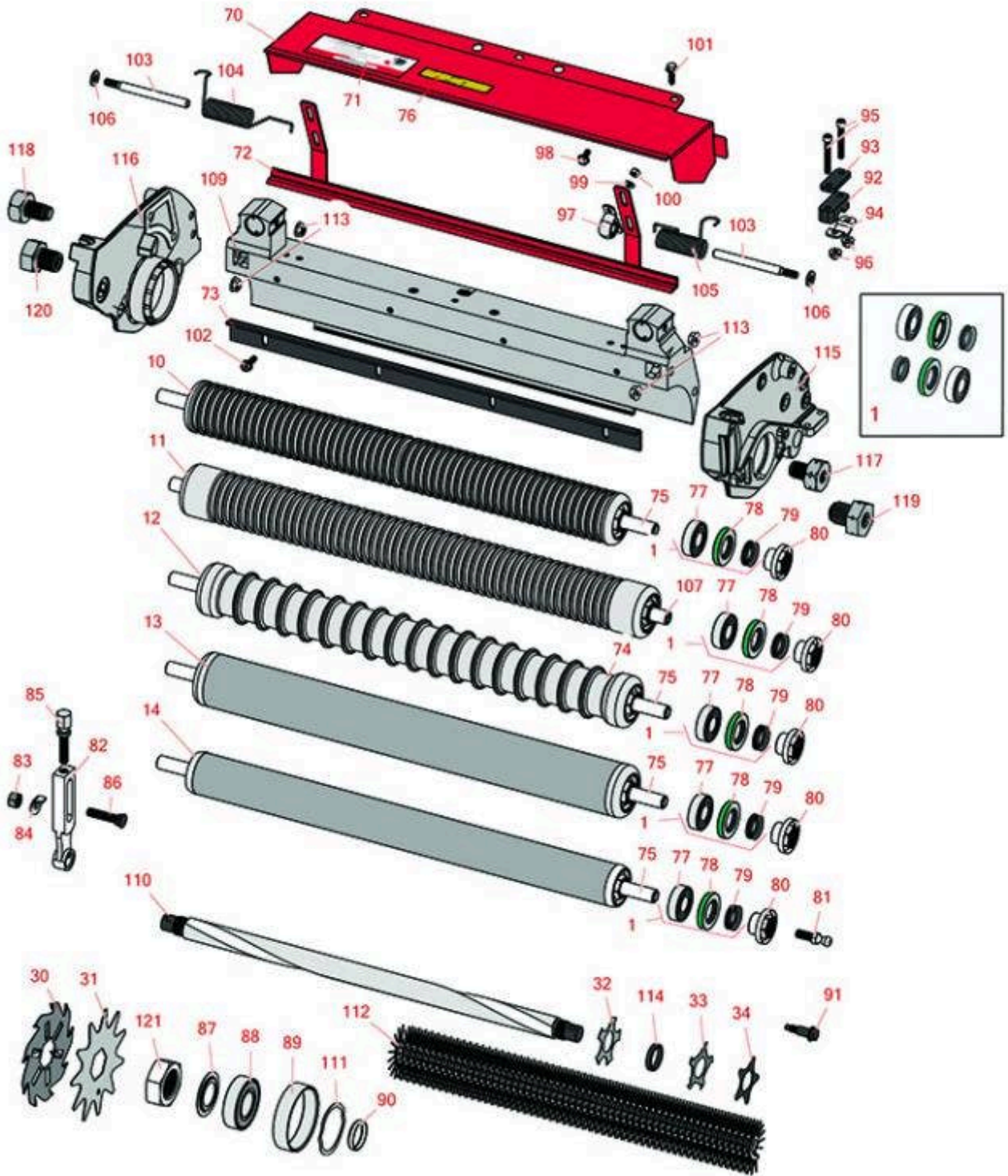




Replaces Toro Greensmaster 3050 Parts

Dethatcher Unit - Model 04479

Dethatching Reel & Frame



All original equipment manufacturers names and part numbers are used for identification purposes only, and we are in no way implying that our products are original equipment parts. Prices subject to change without notice.



Replaces Toro Greensmaster 3050 Parts

Dethatcher Unit - Model 04479

Dethatching Reel & Frame



| Item No | R&R Part No. | OEM Part No. | Description | Qty Req | Order Quantity |
|---------|--------------|--------------|-------------|---------|----------------|
|---------|--------------|--------------|-------------|---------|----------------|

Overhaul Kit

| | | | | | |
|---|------------------|----------|-----------------------|---|--|
| 1 | R107-1594 | 107-1594 | Overhaul Kit - Roller | 0 | |
|---|------------------|----------|-----------------------|---|--|

Tech Note: Includes 2 ea.: R106-6941 Seals, R106-6942 V-Rings & R251-347 Bearings:

R&R Rollers

| | | | | | |
|----|------------------|----------|--|---|--|
| 10 | R115-7360 | 115-7360 | Roller - Narrow Grooved Machined Aluminum - 2 1/2 | 1 | |
|----|------------------|----------|--|---|--|

Tech Note: Constructed with a through shaft, this aluminum roller is machined with narrow grooves and uses ball bearings.:

| | | | | | |
|----|------------------|----------|---------------------------------------|---|--|
| 11 | R121-4675 | 121-4675 | Roller - Extended Machined Grooved | 1 | |
|----|------------------|----------|---------------------------------------|---|--|

| | | | | | |
|----|------------------|----------|--|---|--|
| 12 | R115-7386 | 115-7386 | Roller - Wide Grooved Machined Aluminum - 2-1/2 Dia | 1 | |
|----|------------------|----------|--|---|--|

Tech Note: Constructed with a through shaft, this aluminum roller is machined with 1-1/8" wide grooves for the least amount of ground contact and uses ball bearings.:

| | | | | | |
|----|------------------|----------|---|---|--|
| 13 | R115-7388 | 115-7388 | Roller - Smooth Tubular Steel 2-1/2 in Dia | 1 | |
|----|------------------|----------|---|---|--|

Tech Note: Constructed with a through shaft, this steel roller uses a through shaft and ball bearings.:

| | | | | | |
|----|------------------|---|---------------------------------|---|--|
| 14 | R140-5560 | 105-5776, 106-6945, 107-3509, 119-4093, 120-9595, 140-5560 | Roller - Smooth 2 in Steel Rear | 1 | |
|----|------------------|---|---------------------------------|---|--|

Blades

| | | | | | |
|----|------------------|----------|--|----|--|
| 30 | R117-6824 | 117-6824 | Blade - Carbide Tipped 1.2mm 1 5/16 Hex | 36 | |
|----|------------------|----------|--|----|--|

Tech Note: 9 TOOTH BLADE:

| | | | | | |
|----|------------------|----------|--|----|--|
| 30 | R119-1128 | 119-1128 | Blade - Carbide Tipped 2mm 1 5/16 Hex | 36 | |
|----|------------------|----------|--|----|--|

All original equipment manufacturers names and part numbers are used for identification purposes only, and we are in no way implying that our products are original equipment parts. Prices subject to change without notice.



Replaces Toro Greensmaster 3050 Parts

Dethatcher Unit - Model 04479

Dethatching Reel & Frame



| Item No | R&R Part No. | OEM Part No. | Description | Qty Req | Order Quantity |
|---------|------------------|--------------|--|---------|----------------|
| 31 | R121-6674 | 121-6674 | Blade - Verti-Cut 1 5/16 Hex ID | 36 | |
| 32 | R132-4626 | 132-4626 | Groomer Blade - Helix .035 Thick | 81 | |
| 33 | R121-9531 | 121-9531 | Groomer Blade - Carbide Tipped - Helix 1mm | 40 | |
| 34 | R110-2333 | 110-2333 | Groomer Blade - Helix .028 Thick | 40 | |

Other Parts Available

| | | | | | |
|----|---------------------|-----------------------|---------------------------------|---|--|
| 70 | R119-4095 | 119-4095 | Grass Shield Assy | 1 | |
| 71 | R354083 | 104-7729, 354083 | Decal - Danger | 1 | |
| 72 | R106-9095-01 | 106-9095-01 | Scraper - Assy | 1 | |
| 73 | R115-3303-03 | 115-3303-03 | Bar - Cutoff | 1 | |
| 74 | R99-6216 | 99-6216 | Tube - Grooved - 1 1/8 Spacing | 1 | |
| 75 | R119-4090 | 119-4090 | Shaft - Roller - Hardened | 1 | |
| 76 | R137-9706 | 137-9706 | Decal- Warning | 1 | |
| 77 | R251-347 | 251-347, 72-5690 | Bearing - Ball | 2 | |
| 78 | R106-6941 | 106-6941 | Seal - Double Lip | 2 | |
| 79 | R106-6942 | 106-6942 | V-Ring - Roller | 2 | |
| 80 | R108-3151 | 106-6939, 108-3151 | Locknut - Roller - Stainless | 2 | |
| 81 | R94-2958 | 94-2958 | Stud - Alloy Ball Joint | 2 | |
| 82 | R115-7041 | 115-7041 | Bracket - Front Roller 5 1/4 in | 2 | |
| 83 | R115-7193 | 115-7193 | Nut-HOC | 2 | |

All original equipment manufacturers names and part numbers are used for identification purposes only, and we are in no way implying that our products are original equipment parts. Prices subject to change without notice.



Replaces Toro Greensmaster 3050 Parts

Dethatcher Unit - Model 04479

Dethatching Reel & Frame



| Item No | R&R Part No. | OEM Part No. | Description | Qty Req | Order Quantity |
|---------|-------------------|--|--------------------------------------|---------|----------------|
| 84 | R104-2603 | 104-2603, 119-4158 | Washer - HOC Bracket | 2 | |
| 85 | R110-7352 | 110-7352 | Screw - HOC 2 5/8 Stainless | 2 | |
| 86 | R99-3773 | 99-3773 | Bolt- Plow 3/8-16 x 1 3/4 | 2 | |
| 87 | R115-3299 | 115-3299 | Seal- Flocked | 2 | |
| 88 | R115-3296 | 115-3296 | Bearing | 2 | |
| 88 | R140-5510 | 140-5510 | Bearing - Sealed Stainless | 2 | |
| 89 | R117-6619 | 117-6619 | Bushing | 2 | |
| 90 | R105-5708 | 105-5708, 121-46009, 121-4609 | Plug - Expansion | 2 | |
| 91 | R115-7042 | 115-7042 | Bolt-Shoulder, Flange | 2 | |
| 92 | R105-5710 | 105-5710, 119-4166 | Spacer - Roller | 2 | |
| 93 | R105-5711 | 105-5711, 119-4165 | Shim - Roller | 2 | |
| 94 | R105-5712 | 105-5712, 119-4157 | Retainer - Roller | 2 | |
| 95 | R119-4035 | 119-4035 | Bolt - 1/4-20 x 1 3/4 Soc HD Cap Scr | 4 | |
| 96 | R119-4040 | 119-4040 | Nut - 1/4-20 Fl Locknut | 4 | |
| 97 | R256-239 | 256-239 | Bearing | 2 | |
| 98 | R33113-016 | 33113-016, 48-7620 | Bolt - Hex Washer M6-1.0 x 12 | 4 | |
| 99 | R24M7139 | 24M7139, 3256-16, 33093-00, 43-5930 | Washer - Flat 6mm | 4 | |

All original equipment manufacturers names and part numbers are used for identification purposes only, and we are in no way implying that our products are original equipment parts. Prices subject to change without notice.



Replaces Toro Greensmaster 3050 Parts

Dethatcher Unit - Model 04479

Dethatching Reel & Frame



| Item No | R&R Part No. | OEM Part No. | Description | Qty Req | Order Quantity |
|---------|------------------|------------------------------------|--|---------|----------------|
| 100 | R33023-00 | 33023-00, 48-7900, 49-7810 | Locknut - ESNA 6mm x 1.0 | 4 | |
| 101 | R131-6150 | 131-6150 | Screw- 1/4-20 x 3/4 Hx Wh Thread Forming | 7 | |
| 102 | R119-4012 | 119-4012 | Screw - Hx Washer HD Self Threading | 7 | |
| 103 | R106-9091 | 106-9091 | Pin - Scraper | 2 | |
| 104 | R106-9093 | 106-9093 | Spring - RH - SS | 1 | |
| 105 | R106-9094 | 106-9094 | Spring - LH - SS | 1 | |
| 106 | R33094-00 | 33094-00, 93-5914 | Washer - Flat - 8mm Hardened | 2 | |
| 107 | R120-5404 | 120-5404 | Shaft- Roller | 1 | |
| 109 | R119-9303 | 105-5799, 119-9303 | Frame - Crossmember | 1 | |
| 110 | R125-3478 | 125-3478 | Groomer Shaft Assy | 1 | |
| 111 | R105-5700 | 105-5700, 115-5258 | Wave Washer - Bearing | 1 | |
| 112 | R105-9635 | 105-9635 | Brush - Groomer | 1 | |
| 113 | R104-8300 | 104-8300, 104-8300, 119-4041 | Locknut - 5/16-18 Flanged Y/Zinc | 4 | |
| 114 | R70-1350 | 70-1350 | Spacer - 1/4 Fits Groomer Shaft | 80 | |
| 115 | R119-4005 | 119-4005 | Side Plate Assy-LH Incl R117-6619 | 1 | |
| 116 | R119-4007 | 119-4007 | Side Plate Assy-RH Incl R117-6619 | 1 | |
| 117 | R117-6828 | 117-6828 | LH Nut Assy | 1 | |
| 118 | R117-6829 | 117-6829 | RH Nut Assy | 1 | |

All original equipment manufacturers names and part numbers are used for identification purposes only, and we are in no way implying that our products are original equipment parts. Prices subject to change without notice.



Replaces Toro Greensmaster 3050 Parts

Dethatcher Unit - Model 04479

Dethatching Reel & Frame



| Item No | R&R Part No. | OEM Part No. | Description | Qty Req | Order Quantity |
|---------|------------------|--------------|--------------------|---------|----------------|
| 119 | R120-3221 | 120-3221 | Reel Nut Assy - LH | 1 | |
| 120 | R120-3222 | 120-3222 | Reel Nut Assy - RH | 1 | |
| 121 | R3220-25 | 3220-25 | Nut - Jam 1-3/8-12 | 2 | |

All original equipment manufacturers names and part numbers are used for identification purposes only, and we are in no way implying that our products are original equipment parts. Prices subject to change without notice.