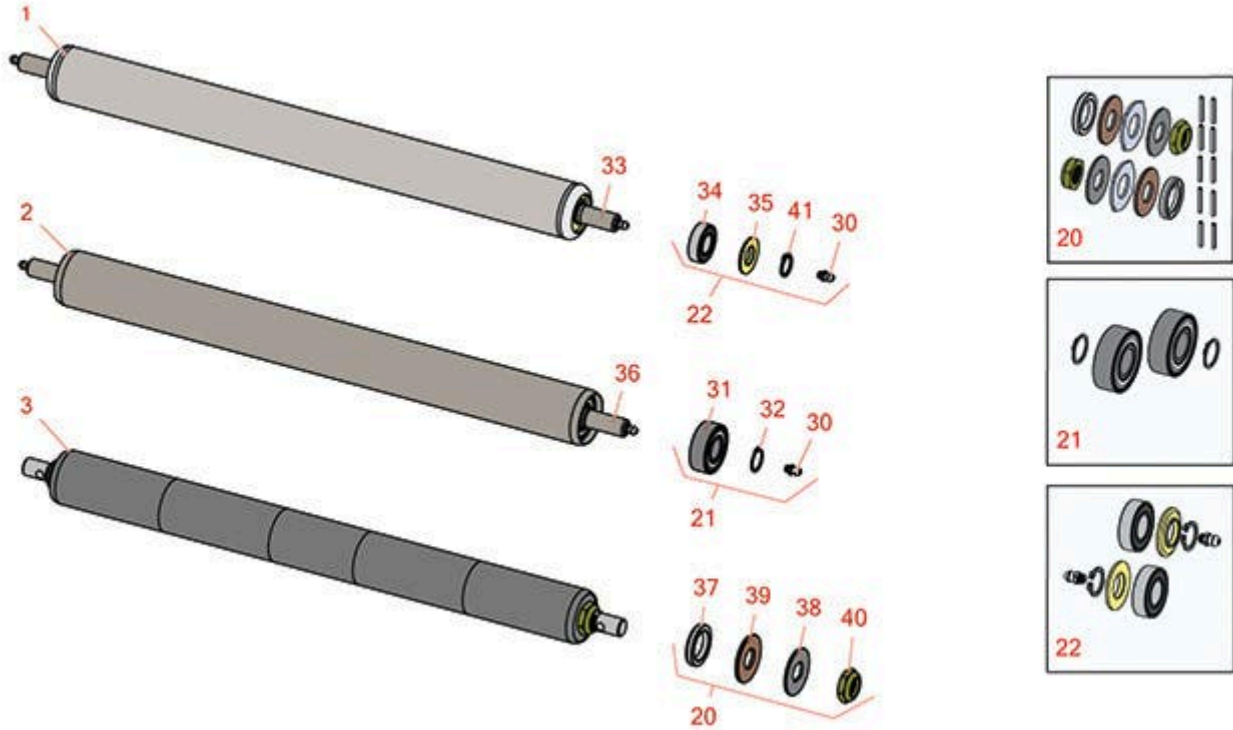




Replaces Toro Greensmaster 3050 Parts

4-Bolt Cutting Unit - Models 04470, 04471, 04480 & 04481
Rear Rollers



All original equipment manufacturers names and part numbers are used for identification purposes only, and we are in no way implying that our products are original equipment parts. Prices subject to change without notice.



Replaces Toro Greensmaster 3050 Parts

4-Bolt Cutting Unit - Models 04470, 04471, 04480 & 04481
Rear Rollers



| Item No | R&R Part No. | OEM Part No. | Description | Qty Req | Order Quantity |
|---------|--------------|--------------|-------------|---------|----------------|
|---------|--------------|--------------|-------------|---------|----------------|

R&R Rear Rollers

| | | | | |
|---|-----------------|---------|-------------------------------|---|
| 1 | R95-2910 | 95-2910 | Roller - Smooth Tubular Steel | 0 |
|---|-----------------|---------|-------------------------------|---|

Tech Note: Constructed with a through shaft and greasable ball bearings.:

| | | | | |
|---|-----------------|---------|-------------------------------|---|
| 2 | R93-2465 | 93-2465 | Roller - Smooth Tubular Steel | 0 |
|---|-----------------|---------|-------------------------------|---|

Tech Note: Constructed with a through shaft and ball bearings.:

| | | | | |
|---|----------------|--|-----------------------------------|---|
| 3 | R150270 | | Roller - Smooth UHMW Polyethylene | 0 |
|---|----------------|--|-----------------------------------|---|

Tech Note: Machined from solid UHMW, this low maintenance roller uses a 1" solid stainless steel shaft and requires no grease. UHMW material prevents build-up of debris.:

Overhaul Kits

| | | | | |
|----|----------------|--|----------------------------|---|
| 20 | R101395 | | Overhaul Kit - UHMW Roller | 0 |
|----|----------------|--|----------------------------|---|

Tech Note: Fits all R&R 2" Dia. Black UHMW Polyethylene Rollers. Includes 10 ea.: R150322 Roll Pins; 2 ea.: R3296-15 Locknuts, R150347T Teflon Seals, R150333 Thrust Washers, & R150334A Bronze Thrust Washers:

| | | | | |
|----|------------------|----------|-----------------------|---|
| 21 | R107-1591 | 107-1591 | Overhaul Kit - Roller | 0 |
|----|------------------|----------|-----------------------|---|

Tech Note: Includes 2 ea: R458013 Retaining Rings & R93-2559 Bearings:

| | | | | |
|----|------------------|----------|-----------------------|---|
| 22 | R107-1593 | 107-1593 | Overhaul Kit - Roller | 0 |
|----|------------------|----------|-----------------------|---|

Tech Note: Includes 2 ea: R302-5 Grease Fittings, R32151-12 Retaining Rings, R85-7190 Washers & R85-9970 Bearings:

Other Parts Available

All original equipment manufacturers names and part numbers are used for identification purposes only, and we are in no way implying that our products are original equipment parts. Prices subject to change without notice.



Replaces Toro Greensmaster 3050 Parts

4-Bolt Cutting Unit - Models 04470, 04471, 04480 & 04481
Rear Rollers



| Item No | R&R Part No. | OEM Part No. | Description | Qty Req | Order Quantity |
|---------|------------------|--|-------------------------------|---------|----------------|
| 30 | R302-5 | 21-6010, 302-11, 302-37, 302-47, 302-5, 302-57, 302-58, 302-6, 31-0300, 32-9660, 60-0800, 62-3880, 92-4181 | Fitting - Grease | 4 | |
| 31 | R93-2559 | 93-2559 | Bearing | 2 | |
| 32 | R458013 | 30-0580, 32120-72, 458013, 93-2525, 936125 | Ring - Retaining | 2 | |
| 33 | R95-2912 | 95-2912 | Shaft - Roller | 1 | |
| 34 | R85-9970 | 85-9970 | Bearing | 2 | |
| 35 | R85-7190 | 85-7190 | Washer - Shield | 2 | |
| 36 | R93-2466 | 93-2466 | Shaft - Rear Roller | 1 | |
| 37 | R150347T | | Seal - Nonstick Lip | 2 | |
| 38 | R150333 | | Washer - Flat Keyed Outer SS | 2 | |
| 39 | R150334A | | Washer - Thrust SAE660 Bronze | 2 | |
| 40 | R3296-15 | 116-7306, 32118-5, 32127-23, 32127-47, 3296-15 | Locknut - 3/4-16 Nylon Jam | 2 | |
| 41 | R32151-12 | 32151-12 | Ring - Retaining 11/16 | 2 | |

All original equipment manufacturers names and part numbers are used for identification purposes only, and we are in no way implying that our products are original equipment parts. Prices subject to change without notice.