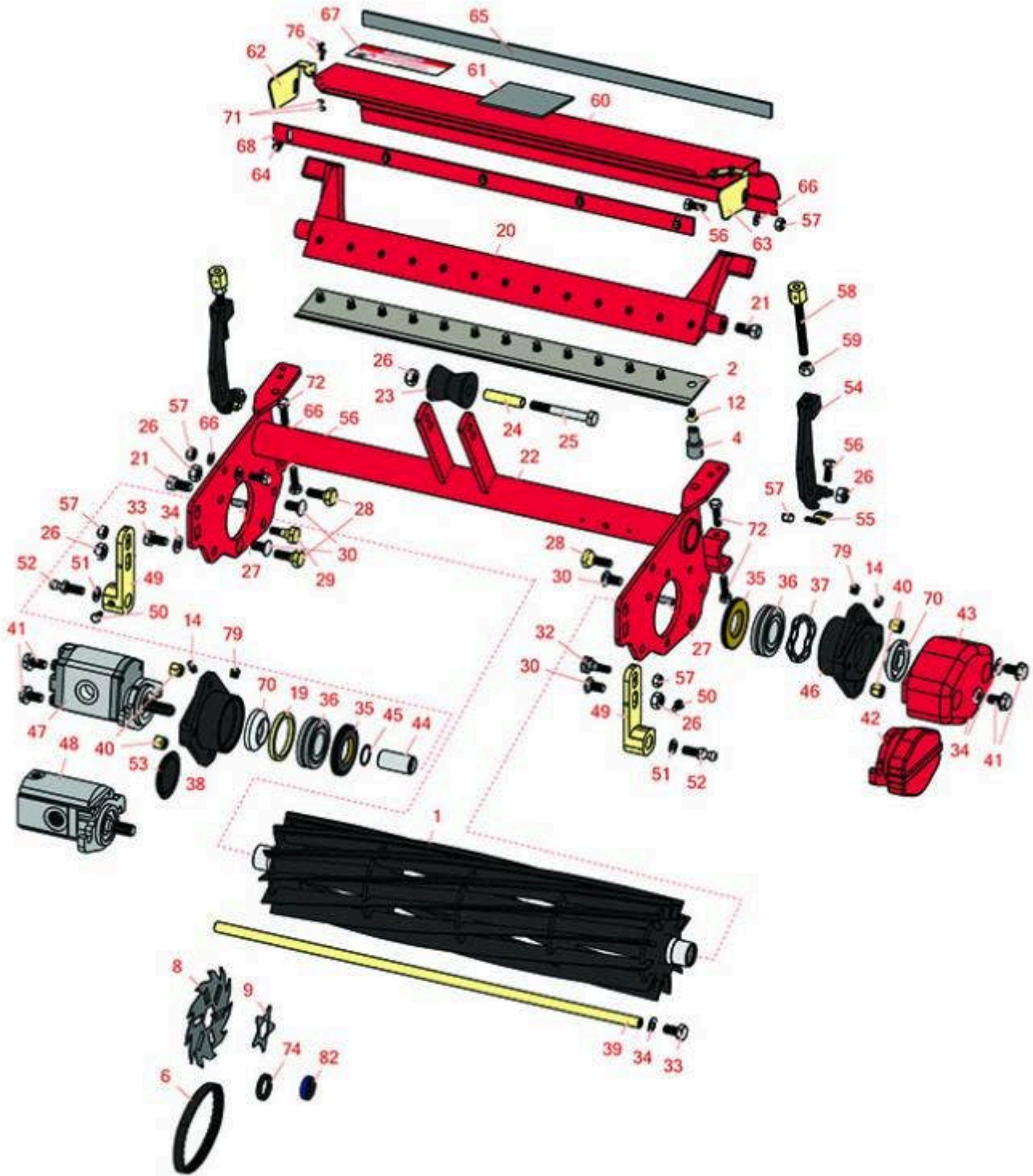




Replaces Toro Greensmaster 3050 Parts

4-Bolt Cutting Unit - Models 04470, 04471, 04480 & 04481
Reel & Bedknife



All original equipment manufacturers names and part numbers are used for identification purposes only, and we are in no way implying that our products are original equipment parts. Prices subject to change without notice.



Replaces Toro Greensmaster 3050 Parts

4-Bolt Cutting Unit - Models 04470, 04471, 04480 & 04481
Reel & Bedknife



Item No	R&R Part No.	OEM Part No.	Description	Qty Req	Order Quantity
R&R Reels, Lifetime Guaranteed					
1	R94-8037	94-4357, 94-8037	Reel - 11 Blade	1	
1	R94-4356	94-4356, 94-8039	Reel - 8 Blade	1	
R&R Bedknives, Lifetime Guaranteed					
2	R93-4262	65-8250, 93-4262, 93-4263	Bedknife - Micro Cut .062 - .187 HOC	1	
2	R108-4303	104-7720, 108-4303	Bedknife - Micro Cut Extended .062 - .187 HOC	3	
2	R99-4299	99-4299	Bedknife - Tournament Extended	3	
2	R93-4263	63-8560, 66-9320, 93-4263, 93-6039	Bedknife - Tournament Cut .125 - .500 HOC	1	
2	R93-4264	57-4960, 63-8470, 93-4264	Bedknife - Low Cut .187 - 1.00 HOC	1	
2	R94-6392	62-2500, 94-6392	Bedknife - High Cut .312 - 1.00 HOC	1	
2	R150466	63-8600, 64-6393, 94-6393	Bedknife - Super Thick .312 - 1.00 HOC	1	
2	R108-4302	108-4301, 108-4302	Bedknife - Tournament Cut Extended .125 - .500 HOC	0	
R&R Razor Tool Steel Bedknives, Lifetime Guaranteed					
2	R115-1881	115-1881	Bedknife - Razor Tool Steel - 21 Tournament Cut .125 - .500 HOC	1	

All original equipment manufacturers names and part numbers are used for identification purposes only, and we are in no way implying that our products are original equipment parts. Prices subject to change without notice.



Replaces Toro Greensmaster 3050 Parts

4-Bolt Cutting Unit - Models 04470, 04471, 04480 & 04481
Reel & Bedknife



Item No	R&R Part No.	OEM Part No.	Description	Qty Req	Order Quantity
<i>Tech Note: Razor Tool Steel Bedknives are constructed from high grade tool steel for extended life and optimum cut.:</i>					
2	R115-1880	115-1880	Bedknife - Razor Tool Steel - 21 Micro Cut .062 - .187 HOC	1	
<i>Tech Note: Razor Tool Steel Bedknives are constructed from high grade tool steel for extended life and optimum cut.:</i>					
2	R150492	150492	Bedknife - Razor Tool Steel - 21 Micro Cut Ext	1	
<i>Tech Note: Razor Tool Steel Bedknives are constructed from high grade tool steel for extended life and optimum cut.:</i>					
Service Tools					
4	R51-0880	51-0880	Bedknife Screw Driver Tool	0	
Belts					
6	R95-0728	95-0728	Belt - Fits Groomer	1	
Verti-Cit Blades					
8	R150209C	106-6355	Verti-Cut Blade - Carbide Tipped 2mm	36	
8	R150109C	106-5422	Verti-Cut Blade - Carbide Tipped 1.2mm	36	
9	R95-5719	95-5719	Blade - Groomer	41	
Other Parts Available					
12	R150477	57-4910	Screw - Bedknife 5/16-18 x 1/2	13	

All original equipment manufacturers names and part numbers are used for identification purposes only, and we are in no way implying that our products are original equipment parts. Prices subject to change without notice.



Replaces Toro Greensmaster 3050 Parts

4-Bolt Cutting Unit - Models 04470, 04471, 04480 & 04481
Reel & Bedknife



Item No	R&R Part No.	OEM Part No.	Description	Qty Req	Order Quantity
14	R302-5	21-6010, 302-11, 302-37, 302-47, 302-5, 302-57, 302-58, 302-6, 31-0300, 32-9660, 60-0800, 62-3880, 92-4181	Fitting - Grease	4	
19	R94-4544	94-4544	Spacer - Reel	1	
20	R93-2576-01	93-2576, 93-2576-01	Bed Bar - 13 Hole	1	
21	R315298	217-74, 31-1070	Bolt - Bed Bar	2	
22	R105-9768	105-9768, 93-2490	Frame Assy	1	
22	R95-1635-01	95-1635, 95-1635-01	Frame - Reel Use w/4 Bolt Adj	1	
23	R93-2463	93-2463	Roller - Lift	1	
24	R93-2464	93-2464	Spacer - Roller	1	
25	R33115-080	33115-080	Bolt - Hex HD M10 x 80	1	
26	R33025-00	32025-00, 33025-00	Locknut - 10mm x 1.5 Jam	4	
27	R32121-123	32121-123	Pin - Spring Roll 5/16 x 3/4	4	
28	R95-0745	95-0745	Bolt - Tapered	4	
29	R105-3834	105-3834, 95-1618	Bolt - Shoulder	1	

All original equipment manufacturers names and part numbers are used for identification purposes only, and we are in no way implying that our products are original equipment parts. Prices subject to change without notice.



Replaces Toro Greensmaster 3050 Parts

4-Bolt Cutting Unit - Models 04470, 04471, 04480 & 04481
Reel & Bedknife



Item No	R&R Part No.	OEM Part No.	Description	Qty Req	Order Quantity
30	R33125-025	33125-025	Bolt - Carriage M10 x 25 w/Nut	4	
32	R95-1617	105-3833, 95-1617	Bolt - Eccentric Front Roller Bkt	1	
33	R48-7770	106-0276, 33115-020, 48-7770	Bolt - Hex HD M10 x 20	2	
34	R453011	01-166-0100, 01-166-0120, 01-166-0270, 01-166-0500, 01-166-0600, 01-166-0620, 132-4593, 2356-3, 237-12, 24-10-AD, 24-11-AD, 24-11-BD, 24-12-AD, 24-12-BD, 30-9310, 32-8190, 3256-24, 3256-3, 3256-36, 3256-4, 453011, 47-9950, 48-9220, 513458, 7-0052	Washer - Flat 3/8 SAE Y/Zinc	6	
35	R94-8908	93-2483, 94-8908	Seal - Reel	2	
35	R105-3824	105-3824	Seal - Reel Double Lip	2	
36	R105-3827	105-3827	Bearing - Reel	2	
36	R93-2489	93-2489	Bearing - Reel	2	
37	R94-4543	94-4543	Spring - Flat Reel	2	

All original equipment manufacturers names and part numbers are used for identification purposes only, and we are in no way implying that our products are original equipment parts. Prices subject to change without notice.



Replaces Toro Greensmaster 3050 Parts

4-Bolt Cutting Unit - Models 04470, 04471, 04480 & 04481
Reel & Bedknife



Item No	R&R Part No.	OEM Part No.	Description	Qty Req	Order Quantity
38	R94-4545	94-4545	Housing - Bearing	2	
38	R105-3826	105-3826	Housing - Bearing LH	1	
39	R93-2477	93-2477, 98-2196	Rod - Grass Shield	1	
40	R93-2454	93-2454	Nut - 3/8-16 Tapered	4	
41	R93-2569	93-2569	Bolt - Hex Washer Nyloc M10	4	
42	R95-1642-01	93-2570, 95-1642, 95-1642-01	Counterweight	1	
43	R100-7113-01	100-7113-01	Counterweight	1	
44	R94-4507	94-4507	Coupling - Reel	1	
45	R32120-37	32120-37	Ring - Internal Retaining Reel	1	
46	R105-3825	105-3825	Housing - Bearing RH	1	
47	R105-9770	10-5090, 105-9770, 26-5690, 70-9800, 94-3506, 94-3507	Hydraulic Motor - Reel Quick Release	1	
<i>Tech Note: Fits Models 3000, 3050 & 3100:</i>					
48	R120-2072	100-6426, 108-6487, 112-9200, 120-2072, 93-1375	Hydraulic Gear Motor	1	
49	R94-8170	94-8170	Bracket - Roller Front	2	
50	R48-7610	33113-012, 48-7610	Bolt - Hex HD Nyloc M6 x 12	2	

All original equipment manufacturers names and part numbers are used for identification purposes only, and we are in no way implying that our products are original equipment parts. Prices subject to change without notice.



Replaces Toro Greensmaster 3050 Parts

4-Bolt Cutting Unit - Models 04470, 04471, 04480 & 04481
Reel & Bedknife



Item No	R&R Part No.	OEM Part No.	Description	Qty Req	Order Quantity
51	R3254-6	01-166-0010, 01-166-0280, 01-166-0610, 3253-5, 3254-18, 3254-6, 3290-223, 48-9370	Washer - Lock 3/8	2	
52	R94-2958	94-2958	Stud - Alloy Ball Joint	2	
53	R150485	2410-30, 2410-30OSS	Cap - Protective Bearing Housing	1	
54	R95-1638	95-1638	Bracket Only - HOC Adj	2	
54	R99-6858	99-6858	Bracket Assy - Rear Roller	2	
55	R99-8168	95-1637, 99-8168	Collar - Bracket HOC	2	
56	R66-3160	33114-020, 43-0110, 48-7710, 66-3160	Bolt - Flanged Hex HD	2	
57	R33024-00	33024-00	Locknut - 8mm x 1.25	4	
58	R95-1633	95-1633	Adjustment - HOC	2	
59	R3296-5	3296-5	Locknut - 3/8-24 Jam Nylon	2	
60	R99-4197	99-4197	Shield - Rear Assy	1	
61	R99-1456	99-1456	Pad - Wear Grass Shield	1	
62	R99-4151	99-4151	Deflector - RH Grass Shield	1	
63	R99-4152	99-4152	Deflector - Grass Shield LH	1	
64	R32144-73	104-2065, 32144-73	Screw - Machine Hex Washer Head	5	

All original equipment manufacturers names and part numbers are used for identification purposes only, and we are in no way implying that our products are original equipment parts. Prices subject to change without notice.



Replaces Toro Greensmaster 3050 Parts

4-Bolt Cutting Unit - Models 04470, 04471, 04480 & 04481
Reel & Bedknife



Item No	R&R Part No.	OEM Part No.	Description	Qty Req	Order Quantity
65	R95-1636	95-1636	Seal - Strip Grass Shield	1	
66	R3256-74	3256-74	Washer - Flat	4	
67	R354083	104-7729, 354083	Decal - Danger	1	
68	R36-7260	36-7260	Bar - Cut Off Grass Shield	1	
70	R104-2067	104-2067	Spacer - End - Motor	2	
71	R46-0430	46-0430	Locknut - 4mm	4	
72	R33114-030	33114-030, 42-9520, 48-7730	Bolt - Hex HD M8-1.25 x 30	4	
74	R70-1350	70-1350	Spacer - 1/4 Fits Groomer Shaft	84	
76	R60-6500	60-6500, 65-6500	Bolt - Hex HD M4 x 10	4	
79	R170714	302-34, 302-39, 62-3520	Fitting - Pressure Relief	2	
82	R353-585	353-585, 353-587, 354-34, 72-4380, 75-1210, 75-1270, 92-8863, 92-8864	Seal - High Pressure - Reel Motor	1	

All original equipment manufacturers names and part numbers are used for identification purposes only, and we are in no way implying that our products are original equipment parts. Prices subject to change without notice.