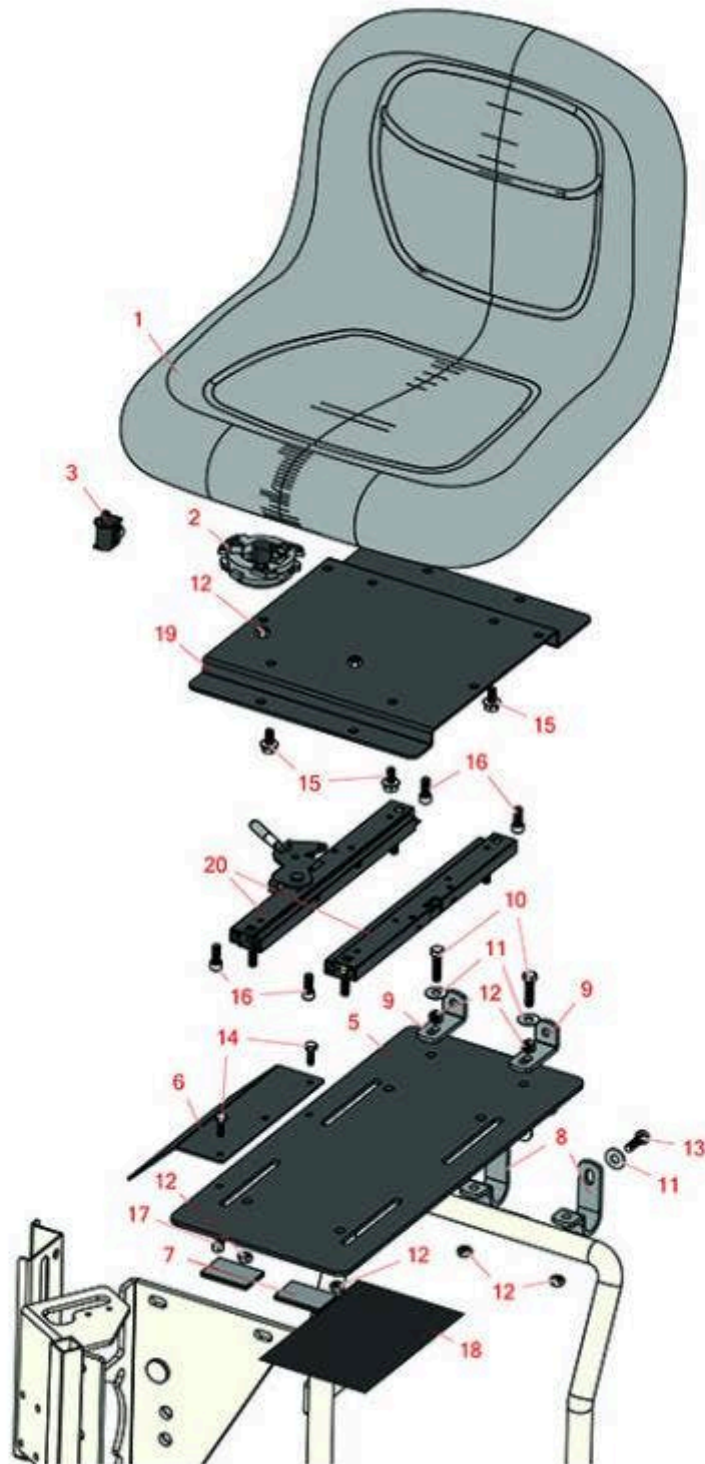




# Replaces R&R Products Sand Max 216

## Parts

Traction Unit  
Seat



All original equipment manufacturers names and part numbers are used for identification purposes only, and we are in no way implying that our products are original equipment parts. Prices subject to change without notice.



# Replaces R&R Products Sand Max 216

## Parts

Traction Unit  
Seat



Item No	R&R Part No.	OEM Part No.	Description	Qty Req	Order Quantity
1	<b>RMXB150GY</b>	R17-4980, R27-5170, R62-9040, R66-6681, R66-7510, R750106, R76-1401, R92-8976	Milsco Seat XB150 - Grey	1	
<i>Detail Description: The Milsco XB150 Seat is a durable bucket-style seat designed with a blow molded corrosion-resistant plastic frame. The ergonomic vacuum-formed vinyl cushions are waterproof and ensure operator comfort. Covers will not crack or peel. Central drain hole prevents water build-up. Accepts operator presence switch. Seat: 18.75in W x 15.5in H. Grey. Made in U.S.A.&lt;BR&gt;Please note: Due to excessive air freight charges, this item will be shipped ground freight.:</i>					
1	<b>R120-5178</b>		Small Seat Cover - Gray	1	
<b>Gauges and Controls</b>					
2	<b>R151541</b>		Delta Seat Switch - Twist Mount 1 Pole Normally Open	1	
3	<b>R150229</b>	R82-2190	Switch - Operator Presence	1	
<b>Other Parts Available</b>					
5	<b>R95-0637-03</b>	R95-0637	Plate-Seat	1	
6	<b>R95-5840-03</b>	R95-5840	Shield-Base, Seat	1	
7	<b>R74-0340</b>	R54-2700	Cushion - Rubber	2	
8	<b>R92-8972</b>		Clamp-Seat	2	
9	<b>R92-8973</b>		Angle	2	
10	<b>R400190</b>	R01-150-0720, R01-178-0510, R30-8680, R322-6, R513343	Bolt - Hex HD 5/16-18 x 1-1/4 GR5	2	

All original equipment manufacturers names and part numbers are used for identification purposes only, and we are in no way implying that our products are original equipment parts. Prices subject to change without notice.



# Replaces R&R Products Sand Max 216

## Parts

*Traction Unit  
Seat*



Item No	R&R Part No.	OEM Part No.	Description	Qty Req	Order Quantity
11	<b>R453009</b>	3256-3, R01-166-0400, R24-10-BD, R24-9-AD, R24H1136, R32-9650, R3256-2, R3256-23, R3256-67, R3290-217, R3556-3, R4-2390, R452006, R7-0152	Washer - Flat 5/16 SAE	4	
12	<b>R3296-29</b>	3296-29, R1-804256, R915662P	Locknut - 5/16-18 ESNA	12	
13	<b>R322-5</b>	322-5, R01-178-0508, R19H1905, R20-26-AD, R20-26-AGD, R30-9000, R400188, R513341, R519755, R908019P	Bolt - Hex HD 5/16-18 x 1	2	
14	<b>R321-4</b>	400108, R01-150-1030, R01-178-0406, R20-3-AGD, R3222-1, R400108	Bolt - Hex HD 1/4-20 x 3/4	2	
15	<b>R3234-14</b>	R3234-23	Bolt - Hex Serrated Washer HD	4	
16	<b>R434024</b>	434024, R3274-12	Bolt - Soc HD Cap 5/16-18 x 3/4	4	

All original equipment manufacturers names and part numbers are used for identification purposes only, and we are in no way implying that our products are original equipment parts. Prices subject to change without notice.



# Replaces R&R Products Sand Max 216

## Parts

*Traction Unit  
Seat*



Item No	R&R Part No.	OEM Part No.	Description	Qty Req	Order Quantity
17	<b>R301504</b>	R32127-24, R32146-17, R3296-16, R3296-42, R915661P, RM40333	Locknut - ESNA 1/4-20	2	
18	<b>R95-0646</b>		Decal-Service	1	
19	<b>R86-7610-03</b>	R86-7610	Mount-Seat	1	
20	<b>R150228</b>	R351-63, R51-0780	Adjusters - Seat (Set of 2)	1	

All original equipment manufacturers names and part numbers are used for identification purposes only, and we are in no way implying that our products are original equipment parts. Prices subject to change without notice.