

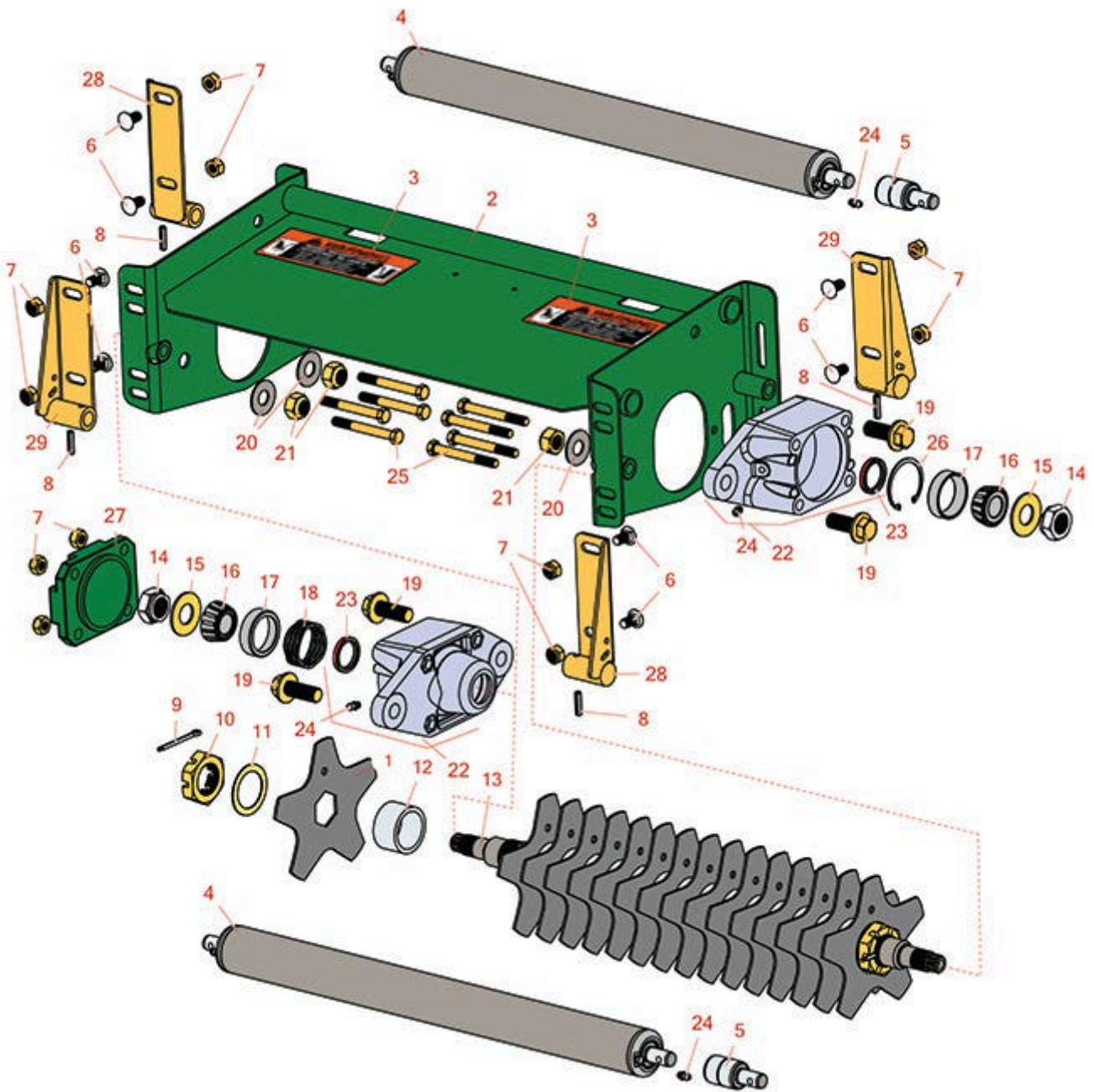


Replaces John Deere 3235B Reel Mower

Parts

Heavy Verti-Cut Unit

Verti-Cut Reel & Frame



All original equipment manufacturers names and part numbers are used for identification purposes only, and we are in no way implying that our products are original equipment parts. Prices subject to change without notice.



Replaces John Deere 3235B Reel Mower Parts

Heavy Verti-Cut Unit
Verti-Cut Reel & Frame



| Item No | R&R Part No. | OEM Part No. | Description | Qty Req | Order Quantity |
|--|------------------|-----------------------------------|----------------------------------|---------|----------------|
| Verti-Cut Blades | | | | | |
| 1 | RMT6987 | MT6987 | Verti-Cut Blade | 16 | |
| 1 | RMT6987C | | Verti-Cut Blade - Carbide Tipped | 16 | |
| Other Parts Available | | | | | |
| 2 | RAMT479 | AMT479 | Frame - Verti-Cut | 1 | |
| 3 | RMT1520 | MT1520 | Label | 2 | |
| 4 | RAET10111 | AET10111, AMT2876 | Roller - Smooth Tubular Steel | 2 | |
| <i>Tech Note: This tubular steel roller uses greasable "water-pump" style bearings.:</i> | | | | | |
| 5 | RAA35741 | AA35741, AET10129, TCA22836 | Bearing | 4 | |
| <i>Tech Note: 1/4" Side Hole:</i> | | | | | |
| 6 | R03M7190 | 03M7190 | Bolt - Carriage M10-1.5 x 20 | 8 | |
| 7 | R14M7400 | 14M7400 | Locknut - 10mm | 8 | |
| 8 | R34M7113 | 34M7113 | Spring Pin - 6mm x 26mm | 4 | |
| 9 | R50-0 | 11M7032 | Pin - Cotter 3/16 x 2 | 1 | |
| 10 | RET17318 | ET17318 | Nut - Slotted Jam | 1 | |
| 11 | R24H1549 | 24H1549 | Spacer | 14 | |
| 12 | RET17648 | ET17648 | Spacer | 15 | |
| 13 | RMT770 | MT770 | Shaft - Verti-Cut | 1 | |
| 14 | RMT1211 | MT1211 | Locknut - 7/8-14 All Metal | 2 | |
| 15 | RM81551 | M81551 | Washer - 1.840 OD | 2 | |

All original equipment manufacturers names and part numbers are used for identification purposes only, and we are in no way implying that our products are original equipment parts. Prices subject to change without notice.



Replaces John Deere 3235B Reel Mower Parts

Heavy Verti-Cut Unit
Verti-Cut Reel & Frame



| Item No | R&R Part No. | OEM Part No. | Description | Qty Req | Order Quantity |
|---|------------------|------------------------------|-----------------------------------|---------|----------------|
| 16 | RJD8960 | JD8960 | Tapered Bearing Cone | 2 | |
| 17 | R254-90 | JD8239 | Tapered Bearing Cup | 2 | |
| 18 | RET17510 | ET17510 | Spring | 1 | |
| 19 | R19M7793 | 19M7793 | Bolt - Hex HD Flanged M16 | 4 | |
| 20 | RET16424 | ET16424 | Washer | 4 | |
| 21 | R14M7328 | 14M7328 | Locknut - 16mm x 2.0 ESNA | 4 | |
| 22 | RAMT683 | AMT683 | Housing - Bearing w/Zerk and Seal | 2 | |
| 23 | RMT1115 | MT1115 | Seal - Reel | 2 | |
| 24 | R302-5 | JD7797, JD7842, JD7844 | Fitting - Grease | 2 | |
| 25 | R19M8197 | 19M8197 | Bolt - Hx HD | 8 | |
| 26 | R32120-65 | N51168 | Ring - Retaining | 1 | |
| 27 | RET17645 | MT7001 | Cap - Reel Bearing Housing | 1 | |
| 28 | RAMT5050 | AMT5050 | Bracket - Roller - V-Cut Unit | 2 | |
| <i>Tech Note: LH Front and RH Rear:</i> | | | | | |
| 29 | RAMT5051 | AMT5051 | Bracket - Roller - V-Cut Unit | 2 | |
| <i>Tech Note: RH Front and LH Rear:</i> | | | | | |

All original equipment manufacturers names and part numbers are used for identification purposes only, and we are in no way implying that our products are original equipment parts. Prices subject to change without notice.