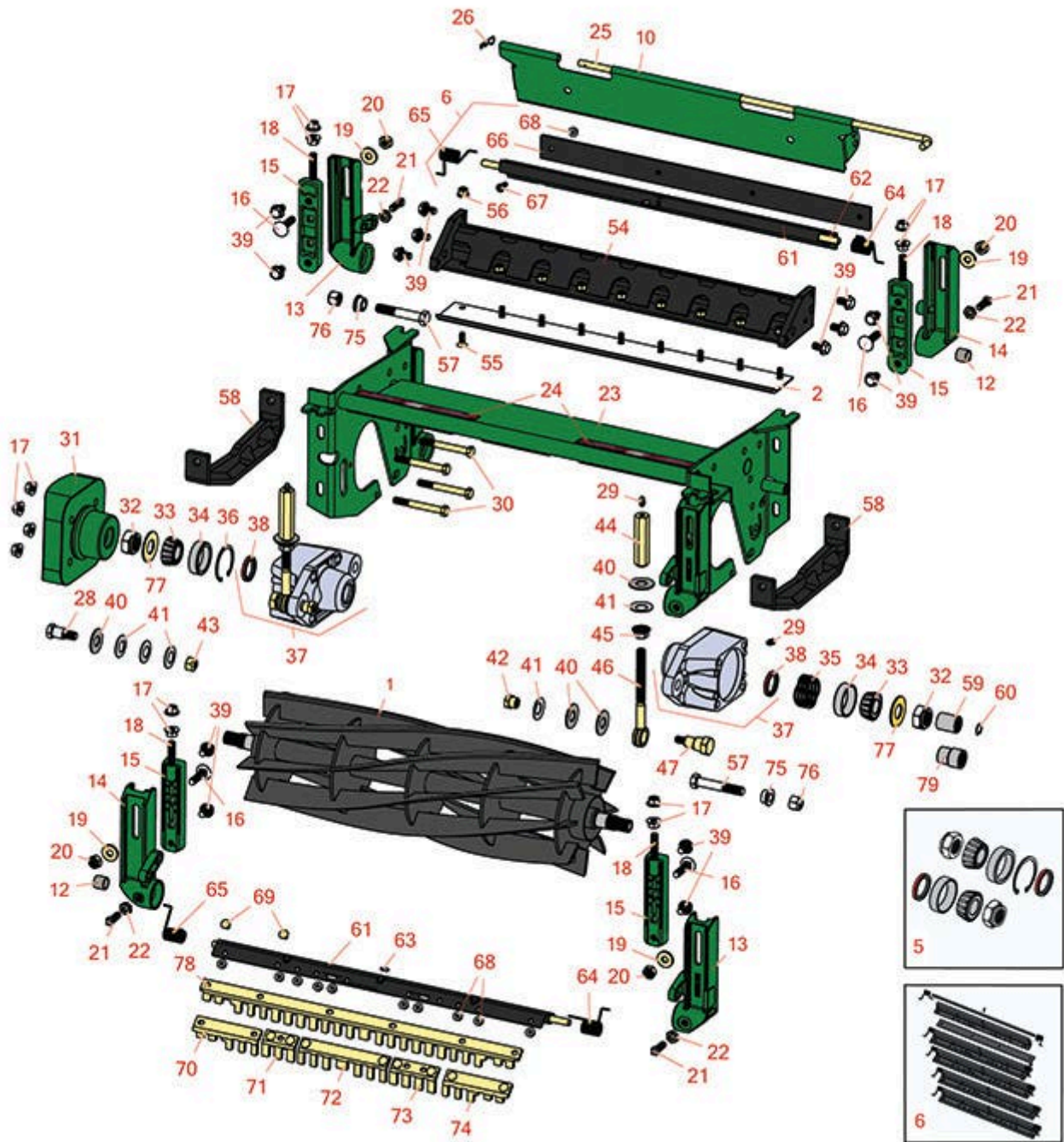




# Replaces John Deere 3235B Reel Mower

## Parts

Heavy Cutting Unit  
Reel & Bedknife



All original equipment manufacturers names and part numbers are used for identification purposes only, and we are in no way implying that our products are original equipment parts. Prices subject to change without notice.



# Replaces John Deere 3235B Reel Mower

## Parts

Heavy Cutting Unit  
Reel & Bedknife



Item No	R&R Part No.	OEM Part No.	Description	Qty Req	Order Quantity
---------	--------------	--------------	-------------	---------	----------------

### R&R Reels, Lifetime Guaranteed

1	<b>RAET11159</b>	AMT2893	Reel - 8 Blade	1	
1	<b>RAMT2895</b>	AMT2895	Reel - 5 Blade	1	
1	<b>RAMT2894</b>	AMT2894	Reel - 10 Blade	1	

### R&R Bedknives, Lifetime Guaranteed

2	<b>RET17751</b>	ET17751	Bedknife - Standard 12mm	1	
2	<b>RMT1928</b>	MT1928	Bedknife - 9.5mm (3/8)	1	
2	<b>RMT3983</b>	MT3983	Bedknife - 6.3 mm (1/4)	1	

### R&R Razor Tool Steel Bedknives, Lifetime Guaranteed

2	<b>R130135</b>		Bedknife - Razor Tool Steel - 22 High Cut	1	
---	----------------	--	---	---	--

### Overhaul Kits

5	<b>R100174</b>		Overhaul Kit - Cutting Unit	0	
<i>Tech Note: Includes 2 ea.: R254-90 Bearing Cups, RJD8960 Bearing Cones, RMT1115 Seals, RMT1211 Locknuts; 1 ea.: R32120-65 Retaining Ring;</i>					

6	<b>RBM17684</b>	BM17684	Scraper Kit - Solid Roller SET/5	0	
<i>Tech Note: Includes 20 ea: R03M7221 Bolt, R14M7303 Nut; 5 ea: R34M7010 Pin, R500571 Scraper Bar, RET17629 LH Spring, RET17630 RH Spring, RET17757 Pin, RMT2595 Scraper Blade;</i>					

### Other Parts Available

10	<b>RET17753</b>	ET17753	Shield - Rear	1	
12	<b>RMT74</b>	MT74	Bushing - Roller Bkt	4	
13	<b>RMT6595</b>	MT6595	Adjuster - L. Front / R. Rear	2	
13	<b>RET17633</b>	ET17633	Adjuster - L. Front / R. Rear	2	

All original equipment manufacturers names and part numbers are used for identification purposes only, and we are in no way implying that our products are original equipment parts. Prices subject to change without notice.



# Replaces John Deere 3235B Reel Mower Parts

*Heavy Cutting Unit  
Reel & Bedknife*



Item No	R&R Part No.	OEM Part No.	Description	Qty Req	Order Quantity
14	<b>RAMT100</b>	AMT100, ET17632	Adjuster - R. Front / L. Rear	2	
15	<b>RAET11311</b>	AET11311	Clamp - Roller Bkt	4	
16	<b>R03M7194</b>	03M7194	Bolt	4	
17	<b>R14M7296</b>	14M7296	Nut - 10mm x 1.5 Flanged	8	
18	<b>RET17646</b>	ET17646	Stud - Clamp	4	
19	<b>R24H1308</b>	24H1308	Washer	4	
20	<b>R14M7400</b>	14M7400	Locknut - 10mm	4	
21	<b>RH138435</b>	H138435	Screw - Set	2	
22	<b>R14M7152</b>	14M7152	Nut - 10mm x 1.5 Jam	2	
23	<b>RAET11305</b>	AET11305	Frame	1	
24	<b>RMT6517</b>	MT6517	Label - Warning	2	
25	<b>RET17759</b>	ET17759	Pin	1	
26	<b>RR50647</b>	J16931, R50647	Pin - Hair Cotter	2	
28	<b>RMT6338</b>	MT6338	Bolt - Shoulder	2	
29	<b>R302-5</b>	JD7797, JD7842, JD7844	Fitting - Grease	4	
30	<b>R19M8197</b>	19M8197	Bolt - Hx HD	8	
31	<b>RMT761</b>	MT761	Weight	1	
32	<b>RMT1211</b>	MT1211	Locknut - 7/8-14 All Metal	2	
33	<b>RJD8960</b>	JD8960	Tapered Bearing Cone	2	
34	<b>R254-90</b>	JD8239	Tapered Bearing Cup	2	

All original equipment manufacturers names and part numbers are used for identification purposes only, and we are in no way implying that our products are original equipment parts. Prices subject to change without notice.



# Replaces John Deere 3235B Reel Mower Parts

*Heavy Cutting Unit  
Reel & Bedknife*



Item No	R&R Part No.	OEM Part No.	Description	Qty Req	Order Quantity
35	<b>RET17510</b>	ET17510	Spring	1	
36	<b>R32120-65</b>	N51168	Ring - Retaining	1	
37	<b>RAMT683</b>	AMT683	Housing - Bearing w/Zerk and Seal	2	
38	<b>RMT1115</b>	MT1115	Seal - Reel	2	
39	<b>R19M7783</b>	19M7783	Screw - Bed Bar Mount	14	
40	<b>RET16424</b>	ET16424	Washer	6	
41	<b>RET16678</b>	ET16678	Washer - Spring	10	
42	<b>RET16572</b>	ET16572	Nut - Hex	2	
43	<b>RA31867</b>	A31867	Locknut	2	
44	<b>RAET10880</b>	AET10880, AMT2965	Adjuster - Reel	2	
45	<b>RET17361</b>	ET17361	Nut - Flanged Eyebolt	2	
46	<b>RET16897</b>	ET16897	Eyebolt	2	
47	<b>RET16896</b>	ET16896	Bolt - Shoulder	2	
54	<b>RAMT2973</b>	AMT2973	Backing Bar - Bed Knife	1	
55	<b>R19M7573</b>	19M7573	Screw - Bedknife M8-1.25 x 20	9	
56	<b>R14M7396</b>	14M7396	Locknut - Flanged Nyloc	9	
57	<b>R19H1820</b>	19H1820	Cap Screw - 1/2-13 x 3	2	
58	<b>RMT2527</b>	MT2527	Shoe - Skid	2	
59	<b>RTCA12581</b>	TCA12581	Coupling - Reel 11 Tooth	1	
60	<b>RMT2745</b>	MT2745	Snap Ring	1	
61	<b>R500571</b>	MT2369	Bar - Scraper	2	

All original equipment manufacturers names and part numbers are used for identification purposes only, and we are in no way implying that our products are original equipment parts. Prices subject to change without notice.



# Replaces John Deere 3235B Reel Mower Parts

Heavy Cutting Unit  
Reel & Bedknife



Item No	R&R Part No.	OEM Part No.	Description	Qty Req	Order Quantity
62	<b>RET17757</b>	ET11757, ET17757	Pin - Scraper	2	
63	<b>R34M7010</b>	34M7010	Pin - Spring	2	
64	<b>RET17629</b>	ET17629	Spring - Torsion LH	2	
65	<b>RET17630</b>	ET17630	Spring - Torsion RH	2	
66	<b>RMT2595</b>	MT2595, MT2895	Scraper Blade - Solid Roller	1	
67	<b>R21M7246</b>	21M7246	Screw	4	
68	<b>R14M7303</b>	14M7303	Nut - 6mm x 1.0 Flanged	10	
69	<b>R03M7251</b>	03M7251	Bolt - Gr. Roller Scraper	10	
70	<b>RMT5158</b>	MT5158	Scraper - Fits J.D. RH End	1	
71	<b>RMT2342</b>	MT2342	Section - Grooved Scraper 3 Tooth	1	
72	<b>RMT2340</b>	MT2340	Scraper - Fits J.D. Center	1	
73	<b>RMT2341</b>	MT2341	Section - Grooved Scraper 4 Tooth	1	
74	<b>RMT5159</b>	MT5159	Scraper - Fits J.D. LH End	1	
75	<b>RM71076</b>	M71076	Bushing	2	
76	<b>RK40014</b>	K40014	Locknut - 1/2-13 All Metal Top Lock	2	
77	<b>RM81551</b>	M81551	Washer - 1.840 OD	2	
78	<b>R500558</b>		Scraper - Grooved Roller	1	
<i>Tech Note: 1 Piece Scraper fits OEM AET11262 &amp; AMT2966 Grooved Roller:</i>					
79	<b>RMT7067</b>	MT7067	Coupling - Splined 9/11 Tooth	1	

All original equipment manufacturers names and part numbers are used for identification purposes only, and we are in no way implying that our products are original equipment parts. Prices subject to change without notice.