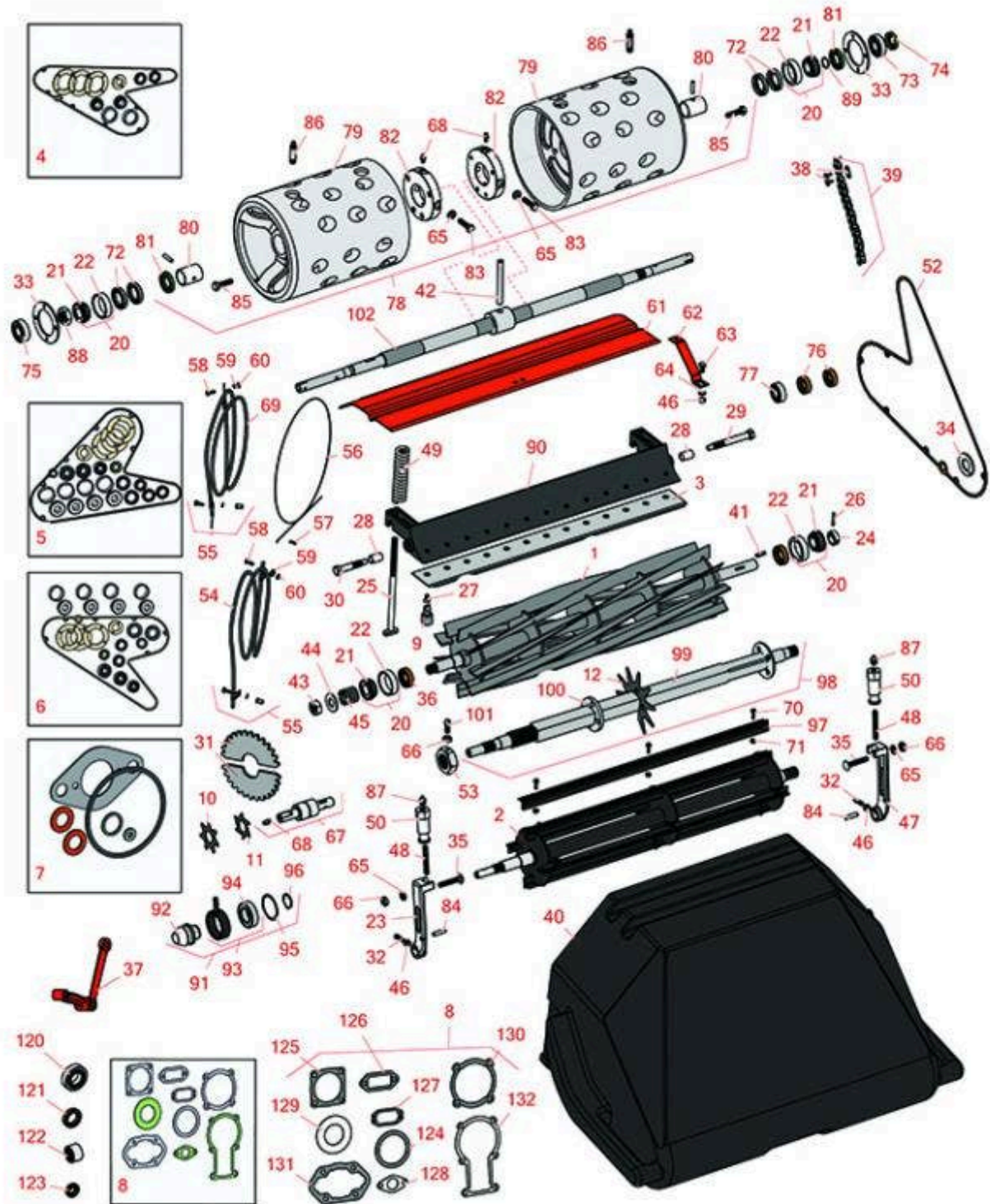




# Replaces Jacobsen PGM 22 Parts

Cutting Unit  
Reel & Bedknife



All original equipment manufacturers names and part numbers are used for identification purposes only, and we are in no way implying that our products are original equipment parts. Prices subject to change without notice.



# Replaces Jacobsen PGM 22 Parts

Cutting Unit  
Reel & Bedknife



Item No	R&R Part No.	OEM Part No.	Description	Qty Req	Order Quantity
---------	--------------	--------------	-------------	---------	----------------

## R&R Reels, Lifetime Guaranteed

1	<b>R502768</b>	120427, 502768	Reel - 9 Blade	1	
	<i>Tech Note: Fits 22":</i>				
1	<b>R101355</b>	5002605	Reel - 11 Blade	1	
	<i>Tech Note: Fits 22":</i>				
1	<b>R101356</b>		Reel - 14 Blade	1	
	<i>Tech Note: Fits 22":</i>				
1	<b>R503206</b>	503206	Reel - 9 Blade	1	
	<i>Tech Note: Fits 19":</i>				
1	<b>R101350</b>		Reel - 11 Blade	1	
	<i>Tech Note: Fits 19":</i>				
1	<b>R101351</b>		Reel - 14 Blade	1	
	<i>Tech Note: Fits 19":</i>				
2	<b>R101489</b>		Brush Reel - 22 Gm	1	
	<i>Tech Note: Fits 22":</i>				

## R&R Bedknives, Lifetime Guaranteed

3	<b>R4234900</b>	5000927	Bedknife - Tournament .063-.110	1	
	<i>Tech Note: Fits 22":</i>				
3	<b>R5002887</b>	5002887	Bedknife - Micro Cut - .082-.109	1	
	<i>Tech Note: Fits 22":</i>				
3	<b>R503479</b>	503029, 503479	Bedknife - Tournament .094-.156 HOC	1	
	<i>Tech Note: Fits 22":</i>				

All original equipment manufacturers names and part numbers are used for identification purposes only, and we are in no way implying that our products are original equipment parts. Prices subject to change without notice.



# Replaces Jacobsen PGM 22 Parts

Cutting Unit  
Reel & Bedknife



Item No	R&R Part No.	OEM Part No.	Description	Qty Req	Order Quantity
3	<b>R503478</b>	101260, 503028, 503478, 549504	Bedknife - Thin .125-.219 HOC	1	
<i>Tech Note: Fits 22":</i>					
3	<b>R503477</b>	101261, 503027, 503477, 549397	Bedknife - Thick .156-.438 HOC	1	
<i>Tech Note: Fits 22":</i>					
3	<b>R101273</b>		Bedknife - Tournament 1/16	1	
<i>Tech Note: Fits 19":</i>					
3	<b>R101264</b>	503204	Bedknife - Super Thin 3/32	1	
<i>Tech Note: Fits 19":</i>					
3	<b>R101263</b>	503205	Bedknife - Thin 1/8	1	
<i>Tech Note: Fits 19":</i>					
<b>R&amp;R Razor Tool Steel Bedknives, Lifetime Guaranteed</b>					
3	<b>R101520</b>		Bedknife - Razor Tool Steel - 22 Micro Cut	1	
<i>Tech Note: Fits 22":</i>					
3	<b>R101521</b>		Bedknife - Razor Tool Steel - 22 Tournament Cut	1	
<i>Tech Note: Fits 22":</i>					
<b>Overhaul Kits &amp; Service Tools</b>					
4	<b>R506557</b>		Overhaul Kit - Cutting Unit	0	
<i>Tech Note: Includes 3 ea.: R304747 Gaskets; 2 ea.: R304736 Seals, R254-78 Bearings, R254-79 Bearing Cups; 1 ea.: R329037 Gasket &amp; R304757 Gasket:</i>					
5	<b>R506558</b>		Overhaul Kit - Cutting Unit 84 - Up	0	

All original equipment manufacturers names and part numbers are used for identification purposes only, and we are in no way implying that our products are original equipment parts. Prices subject to change without notice.



# Replaces Jacobsen PGM 22 Parts

Cutting Unit  
Reel & Bedknife



Item No	R&R Part No.	OEM Part No.	Description	Qty Req	Order Quantity
---------	--------------	--------------	-------------	---------	----------------

*Tech Note: Includes: 4 ea.: R254-78 Bearing, R254-79 Cup; 3 ea.: R304747 Gasket; 2 ea.: R337677 Seal, R304736 Seal; 1 ea.: R329037 Gasket, R304757 Gasket, R343667 Bearing, R303566 Bearing, R313777 Seal, R303490 Bearing, R337678 Seal:*

6	<b>R506559</b>		Overhaul Kit - Cutting Unit 1983 - Prior	0	
---	----------------	--	--	---	--

*Tech Note: Includes: 4 ea.: R254-78 Bearing, R254-79 Cup; 3 ea.: R304747 Gasket; 2 ea.: R304736 Seal, R325652 Seal; 1 ea.: R329037 Gasket; R304757 Gasket; R343667 Bearing; R303566 Bearing; R313777 Seal; R303490 Bearing; R304751 Seal:*

7	<b>R112695</b>	112695	Carburetor Kit	0	
---	----------------	--------	----------------	---	--

## 2 Cycle Engine Gasket Kit

8	<b>R500035</b>	500035	Gasket - Kit Engine	0	
---	----------------	--------	---------------------	---	--

*Tech Note: Includes: 1ea.: R308594, R341794, R309749, R341793, R309761, R341792, R313336, R326728, R325488:*

9	<b>R101272T</b>		Bedknife Screw Driver Tool	0	
---	-----------------	--	----------------------------	---	--

*Tech Note: Easily install and remove bed knife screws with the help of a ratchet. Tool manufactured with hardened alloy steel.:*

## Blades

10	<b>R363014</b>	363014	Verti-Cut Blade - 2-3/8 Dia	0	
----	----------------	--------	-----------------------------	---	--

11	<b>R363808</b>	363808	Blade - V-Cut 2 Dia	85	
----	----------------	--------	---------------------	----	--

12	<b>R101160</b>		Verti-Cut Blade - Fits 22 Gm	26	
----	----------------	--	------------------------------	----	--

12	<b>R101160C</b>		Verti-Cut Blade - Fits 22 Gm Carbide Tipped	26	
----	-----------------	--	---	----	--

## Other Parts Available

20	<b>R500534</b>	500534, R500534	Bearing - with Cup	2	
----	----------------	--------------------	--------------------	---	--

21	<b>R254-78</b>	254-78, 385174, 4121174, 4135152	Tapered Bearing Cone	4	
----	----------------	---	----------------------	---	--

All original equipment manufacturers names and part numbers are used for identification purposes only, and we are in no way implying that our products are original equipment parts. Prices subject to change without notice.



# Replaces Jacobsen PGM 22 Parts

Cutting Unit  
Reel & Bedknife



Item No	R&R Part No.	OEM Part No.	Description	Qty Req	Order Quantity
22	<b>R254-79</b>	254-79, 4121175	Cup - Bearing	4	
<i>Tech Note: Use R254-79M installation mandrel to properly install race.:</i>					
23	<b>R153979</b>	153979, 3008439	Bracket - Front Roller	1	
24	<b>R325654</b>	325654	Collar - Reel Shaft	1	
25	<b>R332516</b>	332516	Rod - Adjusting (Pgm)	2	
26	<b>R461173</b>	461173	Pin - Grooved	1	
27	<b>R101272</b>	101272, 3009138, 402578, 800813	Screw - Bedknife 1/4-20 x 1/2	13	
28	<b>R545940</b>	2500759, 545940	Bushing	2	
29	<b>R347168</b>	347168	Stud - Backing LH 3-1/2	1	
30	<b>R347169</b>	347169, 365501	Stud - Backing RH 2-5/16	1	
31	<b>R314184</b>	314184, 364880	Disc - Clutch Set/2	1	
32	<b>R352737</b>	352737	Screw - Set 1/4 x 7/8 Sq Head	2	
33	<b>R304747</b>	304747	Gasket - Pgm	3	
34	<b>R304757</b>	304757	Gasket - Pgm	1	
35	<b>R441674</b>	441674	Screw - 5/16-18 x 1-3/4 Carriage	2	
36	<b>R304736</b>	304736	Seal - Reel	2	
37	<b>R239043</b>	239043	Lever - Clutch	1	
38	<b>R470503</b>	470503	Link - Connecting NO.41	2	
38	<b>R4100</b>		Link - Offset Chain NO.41	0	

All original equipment manufacturers names and part numbers are used for identification purposes only, and we are in no way implying that our products are original equipment parts. Prices subject to change without notice.



# Replaces Jacobsen PGM 22 Parts

Cutting Unit  
Reel & Bedknife



Item No	R&R Part No.	OEM Part No.	Description	Qty Req	Order Quantity
39	<b>R500325</b>	500325	Chain - w/Link Reel to Tract	1	
39	<b>R500326</b>	500326	Chain - w/Link Pto to Reel	1	
40	<b>R101540</b>	68110	Grass Basket - Heavy Duty	1	
<i>Tech Note: Due to excessive air freight charges, this item will be shipped ground freight.:</i>					
41	<b>R463113</b>	463113	Key - Reel Hi Pro	2	
42	<b>R308028</b>	308028	Pin - Hardened Traction Shaft	1	
43	<b>R444713</b>	444713	Locknut - 5/8-18 Hex Center	1	
44	<b>R453020</b>	453020	Washer - 5/8 SAE Flat Z	1	
45	<b>R363047</b>	348846, 363047	Spring - Reel	1	
46	<b>R443102</b>	443102	Nut - 1/4-20 Yellow Zinc	2	
47	<b>R153980</b>	153980, 3008438	Bracket - Front Roller	1	
48	<b>R343616</b>	343616, 443102	Stud	2	
49	<b>R307360</b>	307360	Bed Bar - Spring	2	
50	<b>R343617</b>	343617	Knob - Adjusting	2	
50	<b>R365009</b>	3005692, 365009, 365170, 441674	Knob - Adjusting Roller	2	
52	<b>R329037</b>	329037	Gasket - Pgm	1	
53	<b>R352437</b>	352437	Nut - V-Cut Shaft	1	
54	<b>R154034</b>	154034	Housing - Throttle Wire	1	
55	<b>R303962</b>	303962	Stud - Throttle Wire	1	
56	<b>R342686</b>	342686	Wire - Throttle	1	

All original equipment manufacturers names and part numbers are used for identification purposes only, and we are in no way implying that our products are original equipment parts. Prices subject to change without notice.



# Replaces Jacobsen PGM 22 Parts

Cutting Unit  
Reel & Bedknife



Item No	R&R Part No.	OEM Part No.	Description	Qty Req	Order Quantity
57	<b>R402056</b>	402056	Screw - Throttle Wire Stud	1	
58	<b>R403936</b>	403936	Screw - 10-32 x 1/2THROTTLE	1	
59	<b>R446116</b>	446116	Washer - Lock 10	1	
60	<b>R444312</b>	444312	Nut - 10-32	1	
61	<b>R500614</b>	331722, 500614	Shield - Grass	1	
62	<b>R315183</b>	315183	Brace - Grass Shield 84-PRI	1	
62	<b>R363328</b>	363328	Brace - Grass Shield 85-ON	1	
63	<b>R400102</b>	400102	Bolt - Hex HD 1/4-20 x 3/8 GR5	1	
64	<b>R3253-3</b>	3253-3, 446128, 446130	Washer - Lock 1/4	1	
65	<b>R446136</b>	446134, 446136	Washer - Lock 5/16 Zinc	2	
66	<b>R443106</b>	443106	Nut - 5/16-18 Y/Zinc Plated	2	
67	<b>R554571</b>	554571	Bearing	2	
68	<b>R302-5</b>	302-5, 471214, 471223, 471226	Fitting - Grease	2	
69	<b>R163541</b>	163541	Cable - Throttle 4 Cyc	1	
70	<b>R150425</b>	150425	Bolt - Hex HD 8-32 x 5/8	12	
71	<b>R3296-9</b>		Locknut - Comb	12	
72	<b>R337677</b>	315257, 337677	Seal - Oil	4	
72	<b>R325652</b>	325652	Seal - Inner (Cork) Roller	4	
73	<b>R303566</b>	303566	Bearing - LH Wheel Support	1	

All original equipment manufacturers names and part numbers are used for identification purposes only, and we are in no way implying that our products are original equipment parts. Prices subject to change without notice.



# Replaces Jacobsen PGM 22 Parts

Cutting Unit  
Reel & Bedknife



Item No	R&R Part No.	OEM Part No.	Description	Qty Req	Order Quantity
74	<b>R313777</b>	313777	Seal - LH Wheel Support	1	
75	<b>R343667</b>	343667	Bearing - Ball	1	
76	<b>R337678</b>	337678, 365753	Seal - Clutch Shaft Bearing	2	
76	<b>R304751</b>	304751	Seal - Cork Clutch Shaft	2	
77	<b>R303490</b>	303490	Bearing - Clutch Shaft	1	
78	<b>R503268</b>	503268	Roller - Traction	0	
<i>Tech Note: Includes: 8 ea: R364171 Bolts; 6 ea: R400190 Bolt, R446136 Washer; 2 ea: R163523 Roller, R302-5 Grease Fitting, R338394 Hub; 1 ea: R304569 Bushing, R364170 Seal, &amp; R471222 Grease Fitting:</i>					
79	<b>R163523</b>	163523	Roller - Traction	2	
80	<b>R304569</b>	304569	Bushing	2	
81	<b>R364170</b>	364170, 366648	Seal	2	
82	<b>R338394</b>	338394	Hub - Traction Roller	2	
83	<b>R400190</b>	352737, 400190	Bolt - Hex HD 5/16-18 x 1-1/4 GR5	6	
84	<b>R461256</b>	461256	Pin - 1/4 x 1	2	
85	<b>R364171</b>	364171	Bolt - Flanged Hex 5/16-18 x 1-1/4	8	
86	<b>R471222</b>	471222	Zerk - Grease w/ Ext.	2	
87	<b>R471219</b>	366852, 471219	Zerk - Grease	2	
88	<b>R444742</b>	444742	Nut - 3/4-16 Gripco Centerlock	1	
89	<b>R458013</b>	458013	Ring - Retaining	1	
90	<b>R220289</b>	121855, 220289	Bed Bar - Bedknife	1	

All original equipment manufacturers names and part numbers are used for identification purposes only, and we are in no way implying that our products are original equipment parts. Prices subject to change without notice.





# Replaces Jacobsen PGM 22 Parts

Cutting Unit  
Reel & Bedknife



Item No	R&R Part No.	OEM Part No.	Description	Qty Req	Order Quantity
91	R101150		Shifter - Clutch Assy	1	
92	R101151		Sleeve - Throwout	1	
93	R101152		Shifter - w/Bearing	1	
94	R101153		Bearing - Shifter	1	
95	R101154		Ring - Retaining Shifter	1	
96	R101155		Ring - Retaining	1	
97	R150481	150481	Brush Assy - Brush Reel	4	
98	R101162		Conversion Kit - Vertical Mower	1	
<i>Tech Note: Includes 76 ea: R352221 Spacer; 26 ea: R101160 Blade; 1 ea: R101161 Shaft, R352437 Nut:</i>					
99	R101161		Shaft - V-Cut Fits 22 Gm	1	
100	R352221	352221	Spacer - Nylon V-Cut Shaft	76	
101	R412017	412017	Screw - Sq. HD Set	1	
102	R117036	117036, 502382	Shaft - Traction w/ Pin	1	
<b>2 Cycle Engine Parts</b>					
120	R312437	312437	Bearing	0	
121	R325472	325472	Seal	0	
122	R325473	325473	Bearing - Pgm Eng	0	
123	R325485	325485	Seal - Pgm Eng.	0	
124	R308594	308594	Gasket - Muffler	0	
125	R309749	309749	Gasket - Cylinder Head	0	
126	R309761	309761	Gasket - Exhaust Flange	0	

All original equipment manufacturers names and part numbers are used for identification purposes only, and we are in no way implying that our products are original equipment parts. Prices subject to change without notice.



# Replaces Jacobsen PGM 22 Parts

*Cutting Unit  
Reel & Bedknife*



Item No	R&R Part No.	OEM Part No.	Description	Qty Req	Order Quantity
127	<b>R313336</b>	313336	Gasket - Reed Plate	0	
128	<b>R325488</b>	325488	Gasket - Carb Mounting	0	
129	<b>R326728</b>	326728	Gasket - Muffler	0	
130	<b>R341792</b>	341792	Gasket - Crankcase Head	0	
131	<b>R341793</b>	341793	Gasket - 2 Cycle Engine	0	
132	<b>R341794</b>	341794	Gasket - Backplate	0	

All original equipment manufacturers names and part numbers are used for identification purposes only, and we are in no way implying that our products are original equipment parts. Prices subject to change without notice.