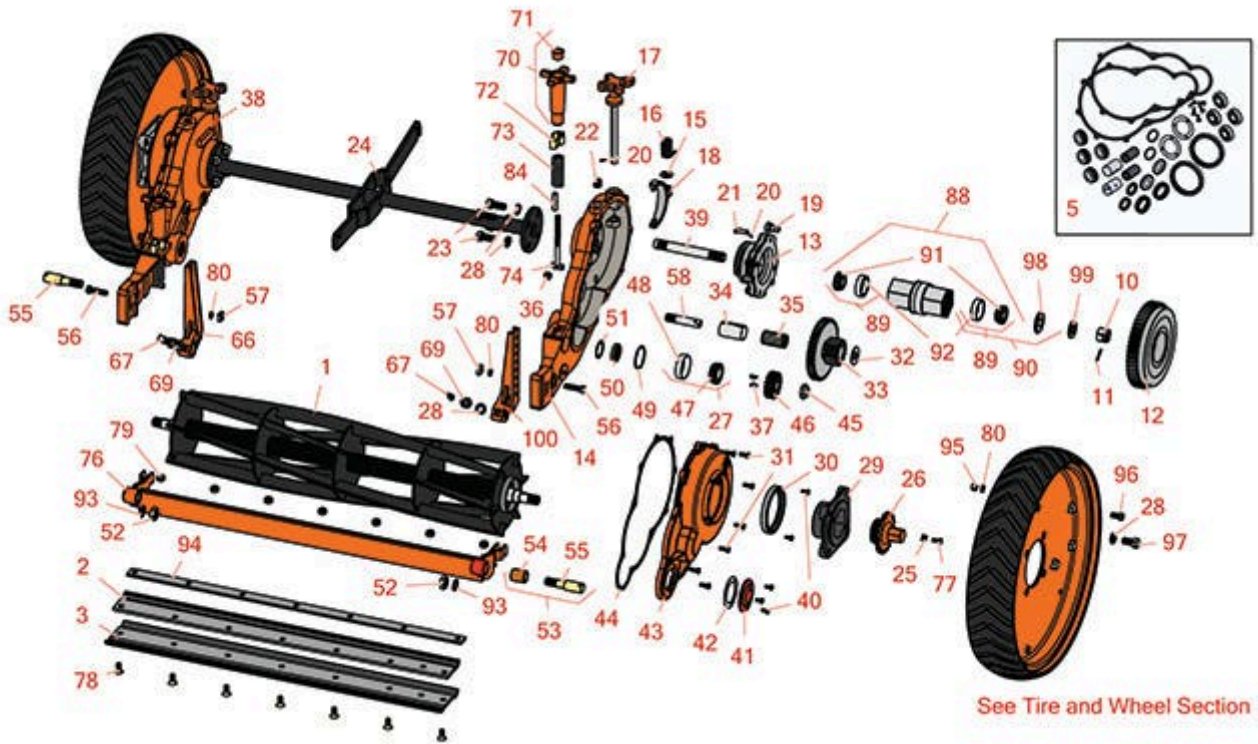




Replaces Jacobsen Fairway Parts

Cutting Unit
Reel & Bedknife



All original equipment manufacturers names and part numbers are used for identification purposes only, and we are in no way implying that our products are original equipment parts. Prices subject to change without notice.



Replaces Jacobsen Fairway Parts

Cutting Unit
Reel & Bedknife



Item No	R&R Part No.	OEM Part No.	Description	Qty Req	Order Quantity
---------	--------------	--------------	-------------	---------	----------------

R&R Reels, Lifetime Guaranteed

1	R502676	108125, 502676	Reel - 5 Blade	1	
1	R502671	108127, 502671	Reel - 6 Blade	1	
1	R502672		Reel - 8 Blade	1	
1	R502675	108100, 502675	Reel - 10 Blade	1	
2	R325163	325163	Bedknife - 30" 7 Hole	1	
3	R101251	315834	Bed Knife - Double Lip Fwy	1	
3	R101251L		Bedknife - Double Lip Low Cut	1	

Overhaul Kits & Service Tools

5	R500600		Overhaul Kit - Cutting Unit	0	
---	---------	--	-----------------------------	---	--

Tech Note: Includes 18 ea: R407706 Screws; 6 ea: R254-78 Bearings, R254-79 Bearing Cups; 2 ea: R302755 Cups, R311957 Rings, R315872 Seals, R315873 Seals, R315876 Gaskets, R315914 Bearings, R315928 Gaskets, R315967 Seals, R315977 Bearings; 1... <Click Part# for more>:

Other Parts Available

10	R445686	445686	Nut - 3/4-16 Castle	2	
11	R460028	460028	Pin - Cotter 1/8 x 1	2	
12	R203976	203976	Gear - Main Ductile Steel	2	
13	R203975	203975	Wheel - Pawl Carrier	2	
14	R154500	154500	Housing - Gear RH Fits Fairway	1	
15	R315861	315861	Washer	2	
16	R316765	316765	Spring - RH	1	
16	R316766	316766	Spring - LH	1	

All original equipment manufacturers names and part numbers are used for identification purposes only, and we are in no way implying that our products are original equipment parts. Prices subject to change without notice.



Replaces Jacobsen Fairway Parts

*Cutting Unit
Reel & Bedknife*



Item No	R&R Part No.	OEM Part No.	Description	Qty Req	Order Quantity
17	R153215	153215	Handle - Release	2	
18	R203968	203968	Fork - Release	2	
19	R204871	204871	Pawl - Main Gear Ductile	8	
20	R460012	460012	Pin - Cotter 3/32 x 3/4	8	
21	R315867	315867	Pin - Hardened Pawl	8	
22	R472205	472205	Plug - 3/8	2	
23	R400406	400406	Bolt - Hex HD 1/2-13 x 1-1/4	8	
24	R108096	108096	Axle - Main Fairway	1	
25	R327676	327676	Tab - Locking	2	
26	R204119	204119	Cap - Hub	2	
27	R500711	500711	Bearing - with Cup	2	
28	R446154	446152, 446154	Washer - Lock 1/2	10	
29	R203984	203984	Hub - Ground Wheel	2	
30	R315967	315967	Seal - Cover	2	
31	R407706	407706	Screw - Housing Cover	18	
32	R302295	302295	Washer	2	
33	R331834	331834	Gear - Int. Ductile Steel	2	
34	R315978	315978	Sleeve - Bearing	2	
35	R315977	315977	Bearing - Int Gear	2	
36	R472203	472203	Plug - 1/4	2	
37	R315877	315877	Key - Pinion Gear	4	
38	R154499	154499	Housing - Gear LH Fits Fairway	1	

All original equipment manufacturers names and part numbers are used for identification purposes only, and we are in no way implying that our products are original equipment parts. Prices subject to change without notice.



Replaces Jacobsen Fairway Parts

Cutting Unit
Reel & Bedknife



Item No	R&R Part No.	OEM Part No.	Description	Qty Req	Order Quantity
39	R545515	545515	Stud - Ground Wheel	2	
40	R408052	408052	Screw - 12-24 x 1/2 Bind HD	10	
41	R352635	352635	Cap - Cover	2	
42	R315876	315876	Gasket - Insp Plate	2	
43	R203986	203986	Cover - Housing	2	
44	R315928	315928	Gasket - Cover	2	
45	R444742	444742	Nut - 3/4-16 Gripco Centerlock	2	
<i>Tech Note: May use R3296-15 Nylock Nut alternate:</i>					
45	R3296-15	3296-15, 367029, 444742	Locknut - 3/4-16 Nylon Jam	2	
46	R315843	315843	Gear - Pinion	2	
47	R315914	315914	Tapered Bearing Cone	2	
48	R302755	302755	Cup - Bearing	2	
49	R315910	315910	Spacer	1	
50	R315872	315872, 336781	Seal - Reel	2	
51	R315873	315873	Seal - Washer	2	
52	R443828	443828	Nut - 5/8-18 Hex	2	
53	R500264	500264	Stud - with Bushing	2	
54	R545723	545723	Bushing - For Backing Stud	2	
55	R315909	315909	Stud - Bedknife Backing	2	
56	R400266	400266	Bolt - Hex HD 3/8-16 x 1-1/2	2	
57	R444510	444510	Nut - 3/8-16 Sq.	2	

All original equipment manufacturers names and part numbers are used for identification purposes only, and we are in no way implying that our products are original equipment parts. Prices subject to change without notice.



Replaces Jacobsen Fairway Parts

Cutting Unit
Reel & Bedknife



Item No	R&R Part No.	OEM Part No.	Description	Qty Req	Order Quantity
58	R315851	315851	Stud - Intermediate	2	
66	R500763	500763	Bracket - Roller LH	1	
67	R412003	412003	Screw - 1/2-13 x 1-1/2 Sq HD	2	
69	R443818	443818	Nut - 1/2-13 Hex Jam Zinc	2	
70	R500548	500548	Handle - Adjusting	2	
71	R312794	312794	Plug - Adj. Handle	2	
72	R315964	315964	Spring - Friction	2	
73	R315966	315966	Spring - Adjusting	2	
<i>Tech Note: Spring overall length is 2-3/4":</i>					
73	R315844	315844	Spring - Worn Reel	2	
<i>Tech Note: Special spring used for worn reels, 2-1/2" long:</i>					
74	R315965	315965	Screw - Adjusting Fairway	2	
<i>Tech Note: 4-1/2" overall length:</i>					
76	R130304	130304	Backing Bar - Bed Knife	1	
<i>Tech Note: Includes R545723:</i>					
77	R400106	400106	Bolt - Hex HD 1/4-20 x 5/8	2	
78	R101270	402698, 403757	Screw - Bedknife 3/8-24 x 13/16	7	
79	R101271	445684	Nut - Bedknife	7	
80	R3254-6	3254-6, 446140, 446142	Washer - Lock 3/8	12	
84	R461406	461406	Pin - Roll	2	
88	R500236	500236	Cylinder - Wheel	2	

All original equipment manufacturers names and part numbers are used for identification purposes only, and we are in no way implying that our products are original equipment parts. Prices subject to change without notice.



Replaces Jacobsen Fairway Parts

Cutting Unit
Reel & Bedknife



Item No	R&R Part No.	OEM Part No.	Description	Qty Req	Order Quantity
<i>Tech Note: Includes 1 R500533 & R500534:</i>					
89	R500534	500534, R500534	Bearing - with Cup	4	
90	R500533	500533	Bearing - w/Cup and Ring	2	
91	R254-78	254-78, 385174, 4121174, 4135152	Tapered Bearing Cone	2	
92	R254-79	254-79, 4121175	Cup - Bearing	2	
<i>Tech Note: Use R254-79M installation mandrel to properly install race.:</i>					
93	R447224	447224	Washer - Lock 5/8 Int Star Z	2	
94	R101252	101252	Shim - For Double Lip Bk	1	
95	R3219-3	3219-3, 443112, 443812	Nut - 3/8-24	12	
96	R400294	400294	Screw - 3/8 24 x 3/4 Hex C/Zinc	12	
97	R400438	400438	Bolt - Hex HD 1/2-20 x 1	8	
98	R311957	311957	Ring - Nilos	2	
99	R453022	453022	Washer - 3/4 SAE	2	
100	R500764	500764	Bracket - Roller RH	1	

All original equipment manufacturers names and part numbers are used for identification purposes only, and we are in no way implying that our products are original equipment parts. Prices subject to change without notice.