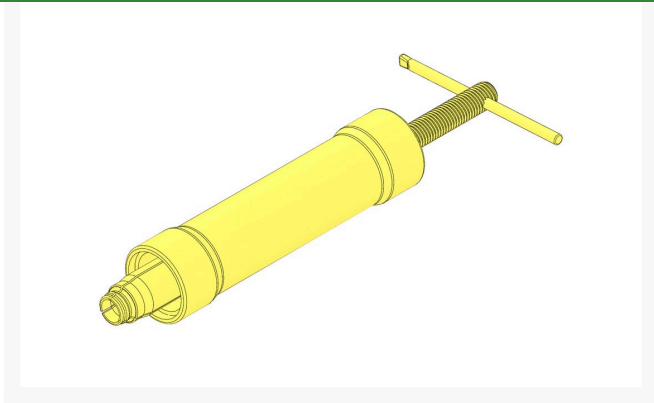




# Ball Bearing Puller R235



## Details

R&R Products developed a special line of tools to remove tapered bearing races from rollers, gear boxes and the outer ball bearing races left inside roller ends, in case of a catastrophic bearing failure. The R&R Puller contains a mandrel and spreader which secures behind the tapered bearing race or to the inside ball bearing groove. The tube assembly, which contains its own tapered bearing pulling system, is then placed over the mandrel and spreader to easily remove the outer race. Mandrels and spreaders are manufactured by R&R Products from high carbon chromium vanadium steel and heat treated for maximum strength.

Puller Fits R101481, R101482, R21-6410, R21-8430, R52-3180, R52-3120, R311839, R361850, R75-1290, RAET10129. If the shaft is still in place, use the R245 "Water Pump-Style" Bearing Puller.

- If the shaft is still in place, use the R245 "Water Pump-Style" Bearing Puller.
- Puller Fits R101481, R101482, R21-6410, R21-8430, R52-3180, R52-3120, R311839, R361850, R75-1290, RAET10129

## Specifications

Manufacturer	R&R Products
--------------	--------------

## Replacement Parts

R227	Spreader Mandrel - Hardened
R233	Bearing Puller Nut - Hardened
R234	Handle - Spreader Mandrel
R236	Expanding Puller Tube

## Evergreen

C/. Bartomeu Amat, 2, Entlo 1 Terrassa, 08225  
+34 931 130 054

<https://evergreen.rrproducts.com/>



# Ball Bearing Puller

R235



Only - Fits R235

R237

Outer Puller Tube Assy

Only - 9-1/4 in

## Evergreen

C/. Bartomeu Amat, 2, Entlo 1 Terrassa, 08225  
+34 931 130 054

<https://evergreen.rrproducts.com/>