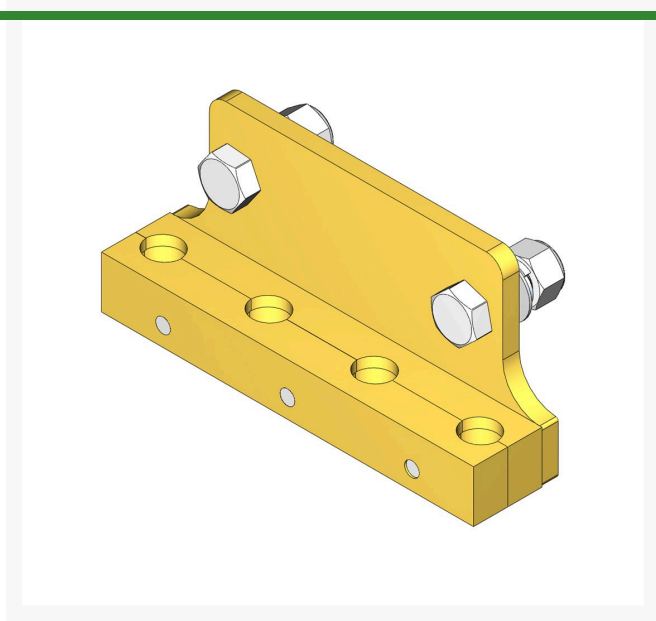




Tine Holder Assy - 4 Tine 7/8 Mt

R100-7617



Replaces

Toro 100-7617

Specifications

Manufacturer R&R Products

Fits Models

Toro ProCore 440

Toro ProCore 660

Toro ProCore 880

Replacement Parts

R33028-00	Locknut - 16mm x 2.0 ESNA
R33098-00	Flatwasher - 16mm
R33115-050	Bolt - Hex HD M10-1.5 x 50
R33118-045	Bolt - Hex HD M16-2.0 x 45
R48-9590	Washer - Lock 10mm

Evergreen

C/. Bartomeu Amat, 2, Entlo 1 Terrassa, 08225
+34 931 130 054

<https://evergreen.rrproducts.com/>