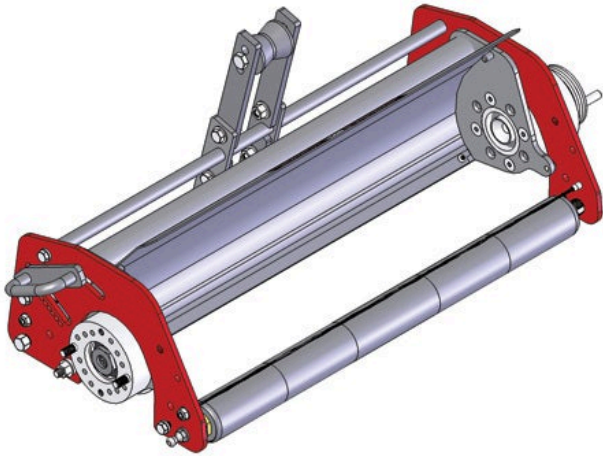




Multi-Green Chassis Assy - RH

RMG4001RH



Details

Chassis to fit Toro Greensmaster.
Complete Multi-Green chassis include frame, bearing housings, front & rear smooth roller. Multi-Green Cassette not included.

Specifications

Manufacturer R&R Products

Fits Models

R&R Products Multi-Green Units

Replacement Parts

R101327	Stud - Housing
R6040-05-230	Drive Coupling w/Pin RH
R93-1394	Nut - Splined RH Thrd .812 Long



Evergreen

C/. Bartomeu Amat, 2, Entlo 1 Terrassa, 08225
+34 931 130 054

<https://evergreen.rrproducts.com/>