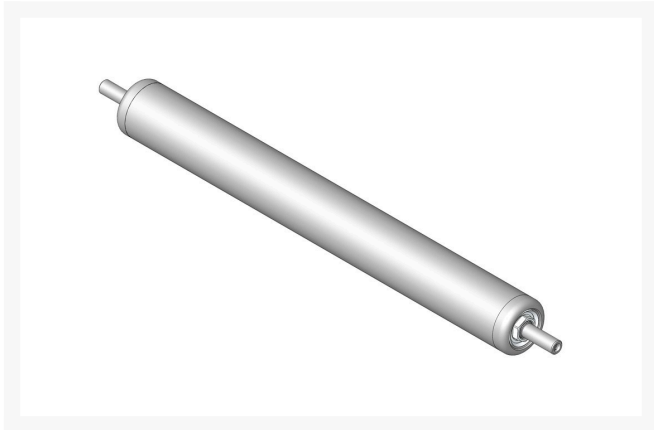




# Roller - Smooth Tubular Steel 2-1/2 in Dia

R115-7388



## Details

Constructed with a through shaft, this steel roller uses a through shaft and ball bearings.

## Replaces

Toro 115-7388

## Specifications

Manufacturer	R&R Products
Overhaul Kit No.	R107-1594
Roller Body Diameter	2.5 in
Weight (lbs)	9 lb

## Fits Models

- Toro Greensmaster 3050
- Toro Greensmaster 3100
- Toro Greensmaster 3120
- Toro Greensmaster 3150-Q
- Toro Greensmaster 3200 & 3200-D
- Toro Greensmaster 3250-D
- Toro Greensmaster TriFlex 3300
- Toro Greensmaster TriFlex 3320
- Toro Greensmaster eTriFlex 3360
- Toro Greensmaster eTriFlex 3370
- Toro Greensmaster TriFlex 3400
- Toro Greensmaster TriFlex 3420
- Toro Greensmaster eFlex 2100
- Toro Greensmaster eFlex 2120
- Toro Greensmaster Flex 2100
- Toro Greensmaster Flex 2120

## Evergreen

C/. Bartomeu Amat, 2, Entlo 1 Terrassa, 08225  
+34 931 130 054

<https://evergreen.rrproducts.com/>



# Roller - Smooth Tubular Steel 2-1/2 in Dia R115-7388



## Replacement Parts

R107-1594

Overhaul Kit - Roller

R119-4090

Shaft - Roller -  
Hardened

R251-347

Bearing - Ball

R106-6941

Seal - Double Lip

R106-6942

V-Ring - Roller

R108-3151

Locknut - Roller -  
Stainless

**Evergreen**

C/. Bartomeu Amat, 2, Entlo 1 Terrassa, 08225  
+34 931 130 054

<https://evergreen.rrproducts.com/>