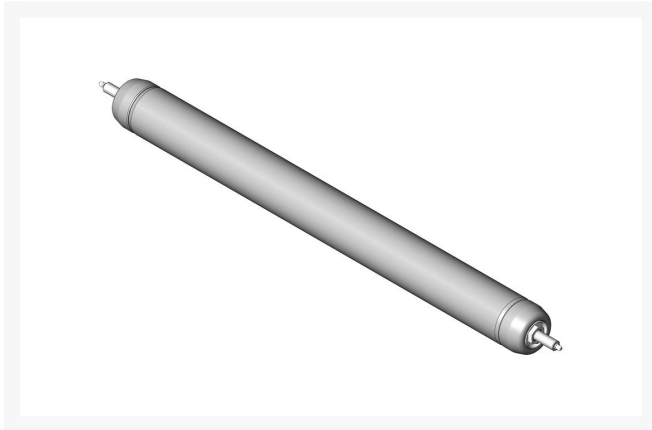




Roller - Smooth Front Steel - 32" Units

R114-9384



Details

Constructed with a through shaft, this heavy-duty roller uses greasable ball bearings.

Replaces

Toro 114-9384

Specifications

Manufacturer	R&R Products
Overhaul Kit No.	R114-5430
Roller Body Diameter	3 in
Weight (lbs)	22 lb

Fits Models

Toro Reelmaster 3100-D
Toro Reelmaster 7000-D

Replacement Parts

R114-5430	Overhaul Kit - Roller
R117-0987	Shaft - Front Roller
R114-3717	Seal
R112-7494	Seal
R112-5290	Bearing - Stainless
R114-3745	Locknut - Bearing - Stainless
R302-5	Fitting - Grease

Evergreen

C/. Bartomeu Amat, 2, Entlo 1 Terrassa, 08225
+34 931 130 054

<https://evergreen.rrproducts.com/>