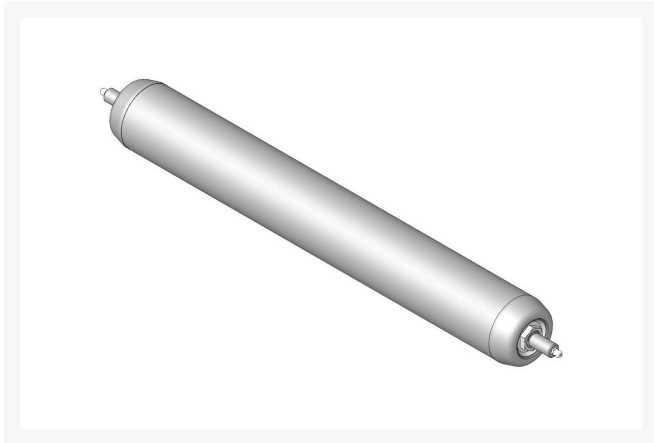




Roller - Smooth Tubular Steel

R114-5415



Details

Constructed with a through shaft, this heavy duty roller uses greasable stainless ball bearings. (2008 & Up)

Replaces

R&R Products	114-5415
Toro	114-5415

Specifications

Manufacturer	R&R Products
Overhaul Kit No.	R114-5430
Roller Body Diameter	3 in
Weight (lbs)	17.5 lb

Fits Models

R&R Products Reel Max 544D
R&R Products Reel Max 744D
Toro Reelmaster 3575-D
Toro Reelmaster 5010-H
Toro Reelmaster 5210-D
Toro Reelmaster 5410-D
Toro Reelmaster 5410G
Toro Reelmaster 5510-D
Toro Reelmaster 5510-G
Toro Reelmaster 5610-D
Toro Reelmaster 6500D
Toro Reelmaster 6700D

Replacement Parts

R114-5430	Overhaul Kit - Roller
R114-5407	Shaft - Long Rear Roller

Evergreen

C/. Bartomeu Amat, 2, Entlo 1 Terrassa, 08225
+34 931 130 054

<https://evergreen.rrproducts.com/>



Roller - Smooth Tubular Steel

R114-5415



R114-3717	Seal
R112-5290	Bearing - Stainless
R112-7494	Seal
R114-3745	Locknut - Bearing - Stainless
R302-5	Fitting - Grease

Evergreen

C/. Bartomeu Amat, 2, Entlo 1 Terrassa, 08225
+34 931 130 054

<https://evergreen.rrproducts.com/>