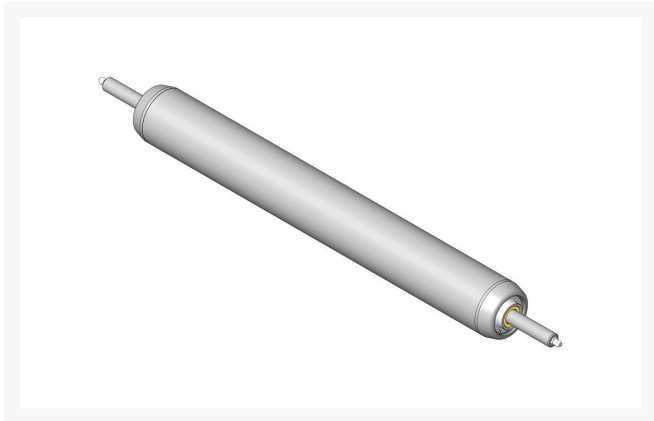




# Roller - Smooth Tubular Steel

R110-4066



## Details

Constructed with a through shaft, this heavy-duty roller uses greasable ball bearings. (2006 - 2007)

## Replaces

R&R Products	110-4066
Toro	110-4066

## Specifications

Manufacturer	R&R Products
Overhaul Kit No.	R106-9606
Roller Body	2.5 in
Diameter	
Weight (lbs)	13 lb

## Fits Models

R&R Products Reel Max 544D  
Toro Reelmaster 5210-D  
Toro Reelmaster 5410-D  
Toro Reelmaster 5410G

## Replacement Parts

R106-9606	Overhaul Kit - Roller
R110-4060	Shaft
R93-3007	Seal
R343667	Bearing - Ball
R93-1251	Seal
R93-1252	Seal - Outer
R253-70	Seal
R93-2931	Washer - Roller Seal
R32120-62	Ring - Retaining
R302-5	Fitting - Grease

## Evergreen

C/. Bartomeu Amat, 2, Entlo 1 Terrassa, 08225  
+34 931 130 054

<https://evergreen.rrproducts.com/>