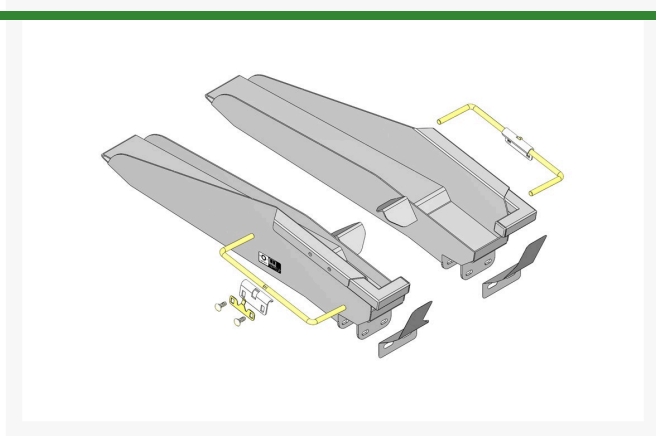




Flat Ramp Kit - Black

R04245B



Details

Secure loading ramp with safety latch for use during transport. When loading and unloading, front rollers are protected with a rubbed pad surface.

Specifications

Manufacturer R&R Products

Replacement Parts

R105-5394	Rod - Wheel Lock
R106-5354	Latch - Wheel Lock
R107-8183	Ramp Kit - LH - Black
R107-8184	Ramp Kit - RH - Black
R108-3156	Bracket - Wheel Lock
R32128-21	Locknut - Flanged
	3/8-16 Whiz Top Lock
R3231-2	Bolt - Carriage 3/8-16 x 1

Evergreen

C/. Bartomeu Amat, 2, Entlo 1 Terrassa, 08225
+34 931 130 054

<https://evergreen.rrproducts.com/>