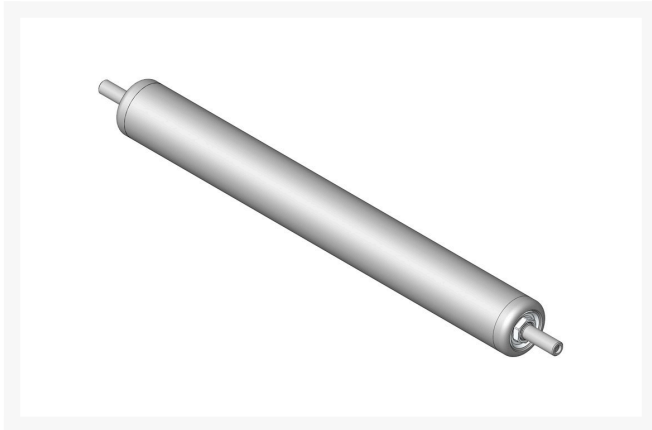




Roller - Smooth Tubular Steel

R107-9039



Details

Constructed with a through shaft, this steel roller uses a through shaft and ball bearings.

Replaces

R&R Products	R104-9796, R106-2612, R107-3500
Toro	106-2612, 107-3500, 107-9039

Specifications

Manufacturer	R&R Products
Overhaul Kit No.	R107-1594
Roller Body Diameter	2.5 in
Weight (lbs)	9 lb

Fits Models

R&R Products Greens Max 2200
R&R Products Greens Max 2200D
R&R Products Greens Max 2200LP
R&R Products Versa-Green 1860
R&R Products Versa-Green 1860PS
Toro Greensmaster 3050
Toro Greensmaster 3100
Toro Greensmaster 3120
Toro Greensmaster 3150-Q
Toro Greensmaster 3200 & 3200-D
Toro Greensmaster 3250-D
Toro Greensmaster Flex 21

Replacement Parts

R107-1594	Overhaul Kit - Roller
-----------	-----------------------

Evergreen

C/. Bartomeu Amat, 2, Entlo 1 Terrassa, 08225
+34 931 130 054

<https://evergreen.rrproducts.com/>



Roller - Smooth Tubular Steel

R107-9039



R106-6940	Shaft
R251-347	Bearing - Ball
R106-6941	Seal - Double Lip
R106-6942	V-Ring - Roller
R108-3151	Locknut - Roller - Stainless

Evergreen

C/. Bartomeu Amat, 2, Entlo 1 Terrassa, 08225
+34 931 130 054

<https://evergreen.rrproducts.com/>