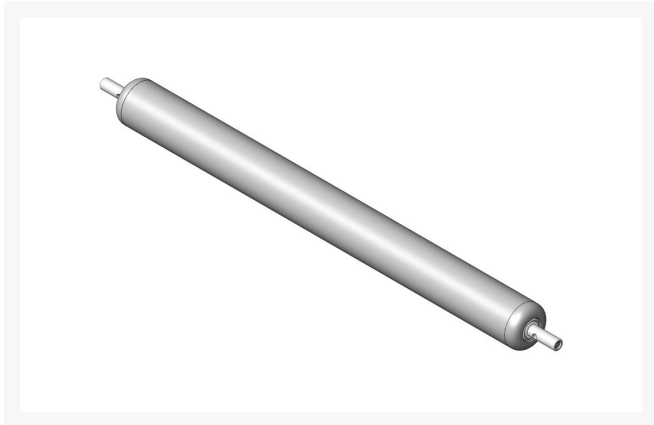




# Roller - Smooth Tubular Steel

R95-0930



## Details

This tubular steel roller uses greasable "water-pump" style bearings.

## Replaces

Toro	95-0930
------	---------

## Specifications

Manufacturer	R&R Products
Overhaul Kit No.	R107-1588
Roller Body Diameter	2.5 in
Weight (lbs)	9 lb

## Fits Models

- Toro Greensmaster 1600
- Toro Greensmaster 1610
- Toro Greensmaster 2600

## Replacement Parts

R107-1588	Overhaul Kit - Roller
R52-3180	Bearing - Front Roller
R302-5	Fitting - Grease

## Evergreen

C/. Bartomeu Amat, 2, Entlo 1 Terrassa, 08225  
+34 931 130 054

<https://evergreen.rrproducts.com/>