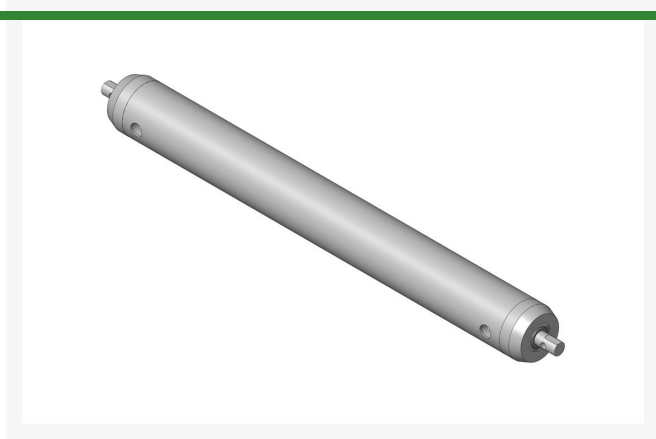




Roller - Smooth Tubular Steel

R82-6680



Replaces

Toro 82-6680

Specifications

Manufacturer R&R Products
Roller Body Diameter 2.5 in

Fits Models

Toro Reelmaster 223D
Toro Reelmaster 5100-D
Toro Reelmaster 5300-D
Toro Reelmaster 5400D

Replacement Parts

R75-1290 Bearing - Roller
R302-5 Fitting - Grease

Evergreen

C/. Bartomeu Amat, 2, Entlo 1 Terrassa, 08225
+34 931 130 054

<https://evergreen.rrproducts.com/>