

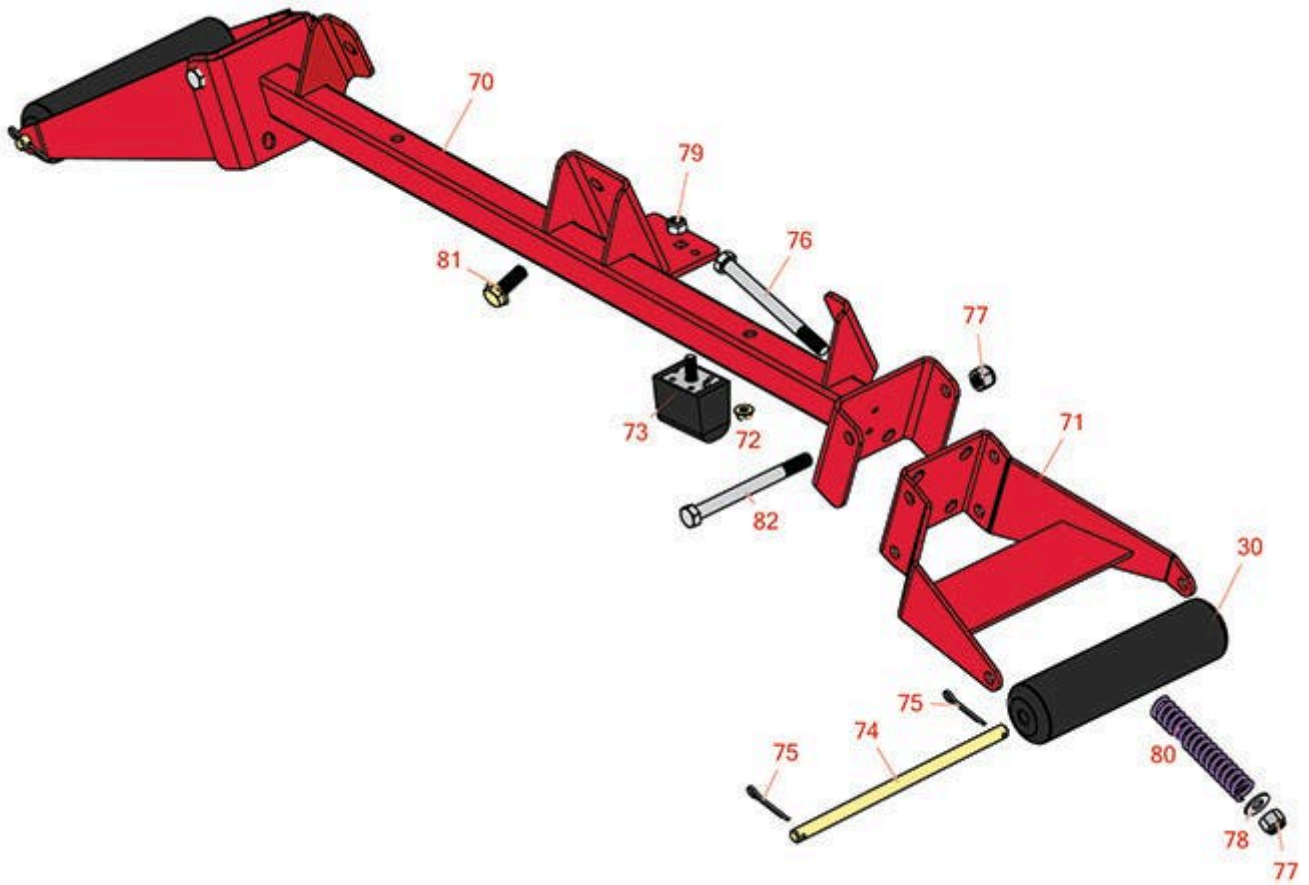


# Replaces Toro Groundsmaster 4500-D

## Parts

Traction Unit - Model 30873

Front Shroud



All original equipment manufacturers names and part numbers are used for identification purposes only, and we are in no way implying that our products are original equipment parts. Prices subject to change without notice.



# Replaces Toro Groundsmaster 4500-D Parts

*Traction Unit - Model 30873  
Front Shroud*



Item No	R&R Part No.	OEM Part No.	Description	Qty Req	Order Quantity
30	<b>R105-9816</b>	105-9816	Roller-Plastic	2	
70	<b>R117-4760-01</b>	117-4760-01	Support - Roller	1	
71	<b>R105-3996-01</b>	105-3996-01	Roller Support Assy	2	
72	<b>R104-8300</b>	104-8300, 104-8300 , 119-4041	Locknut - 5/16-18 Flanged Y/Zinc	2	
73	<b>R87-3470</b>	87-3470	Bumper - Rubber	1	
74	<b>R104-5545</b>	104-5545	Shaft- Roller	2	
75	<b>R3272-11</b>	01-151-0010, 01-151-0040, 28-18-D, 28-28-D, 3211-72, 3272-11	Pin - Cotter	4	
76	<b>R325-20</b>	01-150-1250, 01-178-0848, 325-20	Bolt - Hx HD 1/2-13 x 6	2	
77	<b>RF5003</b>	32127-29, 32131-5, 32132-5, 3296-23	Locknut - ESNA 1/2-13	4	
78	<b>R3256-26</b>	01-166-0540, 01-166-0820, 17-2530, 24-13-BD, 30-8570, 3256-26, 356206, 48-9390	Washer - 1/2 in	2	
79	<b>R33025-00</b>	32025-00, 33025-00	Locknut - 10mm x 1.5 Jam	1	
80	<b>R105-3970</b>	105-3970	Spring - Compression	2	

All original equipment manufacturers names and part numbers are used for identification purposes only, and we are in no way implying that our products are original equipment parts. Prices subject to change without notice.



# Replaces Toro Groundsmaster 4500-D Parts

*Traction Unit - Model 30873  
Front Shroud*



Item No	R&R Part No.	OEM Part No.	Description	Qty Req	Order Quantity
81	<b>R3234-38</b>	3234-38	Bolt - Flanged Hex 1/2-13 x 1-1/4	3	
82	<b>R325-22</b>	01-150-0650, 01-178-0844, 325-21, 325-22	Bolt - Hx HD 1/2-13 x 5 1/2	2	

All original equipment manufacturers names and part numbers are used for identification purposes only, and we are in no way implying that our products are original equipment parts. Prices subject to change without notice.