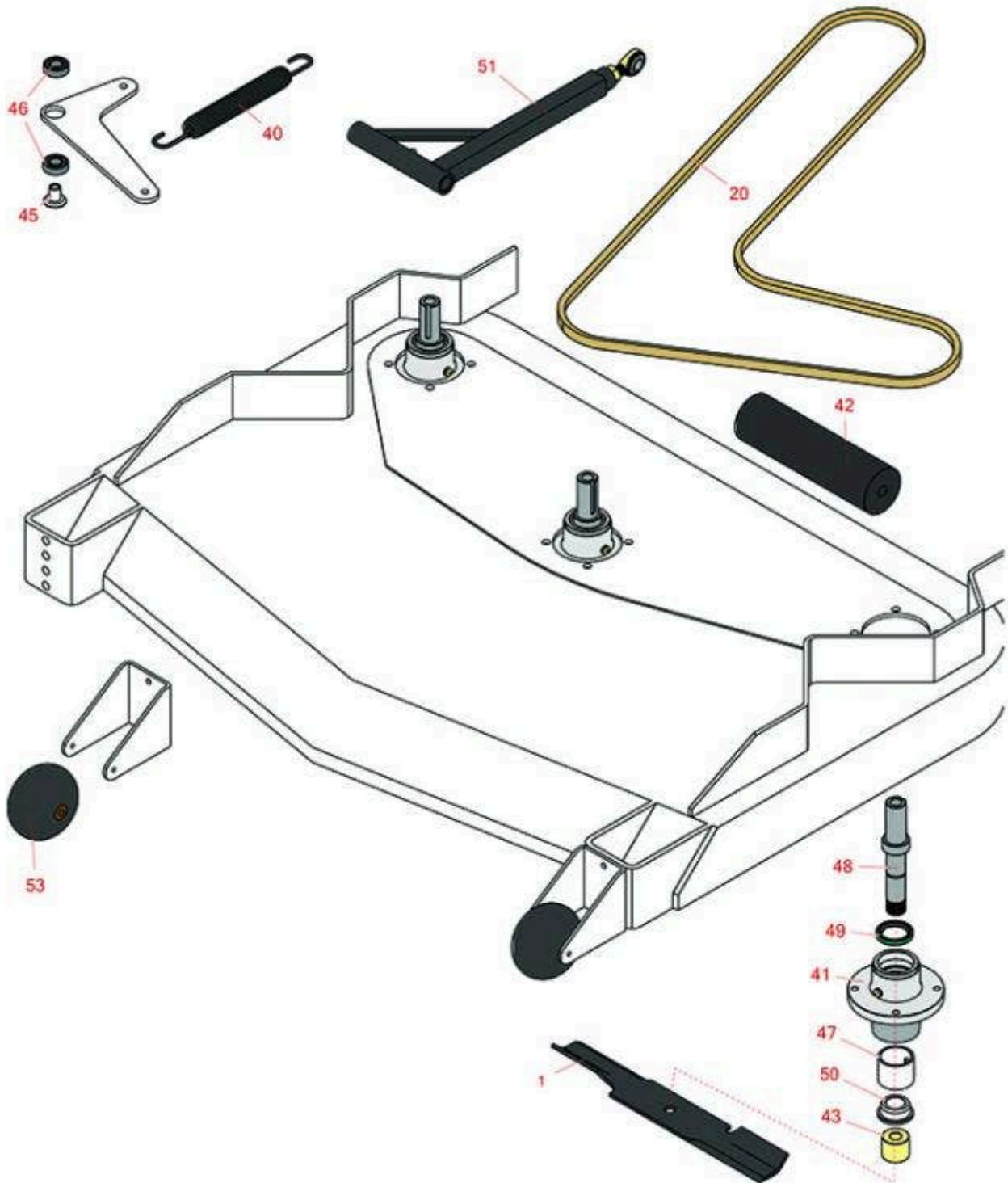




# Replaces Scag STCII - Tiger Cat II Parts

48in Zero-Turn Mower

48in Deck



All original equipment manufacturers names and part numbers are used for identification purposes only, and we are in no way implying that our products are original equipment parts. Prices subject to change without notice.



# Replaces Scag STCII - Tiger Cat II Parts

48in Zero-Turn Mower

48in Deck



Item No	R&R Part No.	OEM Part No.	Description	Qty Req	Order Quantity
<b>Blades</b>					
1	<b>RRB3155-1602</b>	482877	Mower Blade - High-Lift 16.5 x 2.5in x 5/8 Mt Hole	3	
<b>Belts</b>					
20	<b>RZS486283</b>	486283	Belt - Cutter Deck Drive (48V)	1	
<b>Other Parts Available</b>					
40	<b>RZS483247</b>	483247	Spring - RH Deck	1	
41	<b>RZS43644</b>	43644	Spindle Housing	3	
42	<b>RZS48038</b>	48038	Guide Roller	1	
43	<b>RZS43590</b>	43590	Spacer - Spindle Bottom	3	
45	<b>RZS43689</b>	43689	Pivot - Idler	1	
46	<b>RZS48224</b>	48224	Bearing	2	
47	<b>RZS43312</b>	43312	Spacer - Outside	3	
48	<b>RZS43589</b>	43589	Spindle Shaft	3	
49	<b>R366649</b>	481024	Seal	3	
50	<b>RZS43297</b>	43297	Spindle Bushing	3	
51	<b>RZS461516</b>	461516	Push Arm Assembly LH & RH	2	
53	<b>RZS481632</b>	481632	Wheel - Anti Scalp	2	

All original equipment manufacturers names and part numbers are used for identification purposes only, and we are in no way implying that our products are original equipment parts. Prices subject to change without notice.