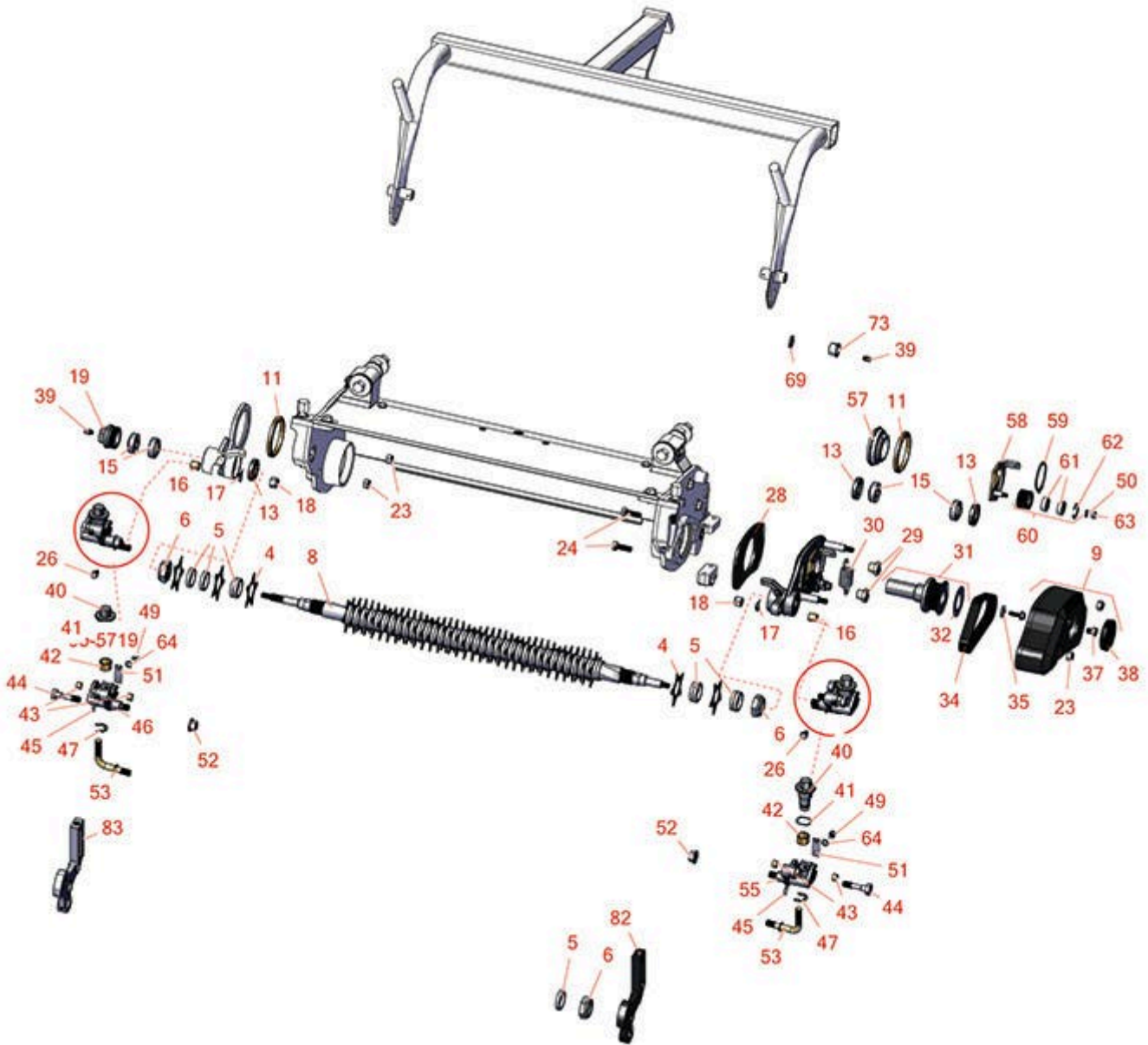




Replaces Toro Greensmaster 3050 Parts

DPA Cutting Unit - Models 04610, 04611 & 04616
Groomer - Model 04632



All original equipment manufacturers names and part numbers are used for identification purposes only, and we are in no way implying that our products are original equipment parts. Prices subject to change without notice.



Replaces Toro Greensmaster 3050 Parts

DPA Cutting Unit - Models 04610, 04611 & 04616
Groomer - Model 04632



Item No	R&R Part No.	OEM Part No.	Description	Qty Req	Order Quantity
Blades					
4	R95-5719	95-5719	Blade - Groomer	41	
Other Parts Available					
5	R70-1350	70-1350	Spacer - 1/4 Fits Groomer Shaft	84	
6	R32127-46	32127-46, 3296-60	Locknut	2	
8	R110-2338	110-2338	Shaft Assy - Groomer	1	
9	R106-8542	106-8542	LH Drive Cover Assy	1	
11	R106-8527	106-8527	Bushing	2	
13	R106-8530	106-8530	Seal - Oil	3	
15	R107-8105	106-8520, 107-8105	Bearing-Ball - Extended	4	
16	R256-2	256-2	Bushing - Idler Pulley	2	
17	R3290-301	3290-301	Washer - Spring Wave	2	
18	R3296-5	3296-5	Locknut - 3/8-24 Jam Nylon	2	
19	R106-8529	106-8529	Plug-Cap	1	
23	R33024-00	33024-00	Locknut - 8mm x 1.25	2	
24	R57-6380	33114-025, 48-9460, 60-4540	Bolt - Hex HD M8-1.25 x 25	2	
26	R48-7610	33113-012, 48-7610	Bolt - Hex HD Nyloc M6 x 12	2	
28	R106-8463	106-8463	Shim-Groomer	1	
29	R105-5770	105-5770	Nut - Shoulder	2	

All original equipment manufacturers names and part numbers are used for identification purposes only, and we are in no way implying that our products are original equipment parts. Prices subject to change without notice.



Replaces Toro Greensmaster 3050 Parts

DPA Cutting Unit - Models 04610, 04611 & 04616

Groomer - Model 04632



Item No	R&R Part No.	OEM Part No.	Description	Qty Req	Order Quantity
30	R110-1700	110-1700, 66-4460	Spring-Extension	1	
31	R106-8540	106-8540	Pulley Assy	1	
32	R106-8521	106-8521	Decal-Warning	1	
34	R104-4705	104-4705, 120-2763	Belt - Groomer	1	
35	R105-5769	105-5769	Washer	1	
36	R33103-020	33103-020	Bolt - Hex Washer M6-1.0 x 20	1	
37	R33114-010	33114-010	Bolt - Hex HD M8-1.25 x 10	1	
38	R105-5761	105-5761	Grommet	1	
39	R302-5	21-6010, 302-11, 302-37, 302-47, 302-5, 302-57, 302-58, 302-6, 31-0300, 32-9660, 60-0800, 62-3880, 92-4181	Fitting - Grease	4	
40	R106-8482	106-8482	Adjuster-Groomer	2	
41	R107-8107	106-8490, 107-8107	Washer - Wave	2	
42	R256-42	256-42	Bushing	2	
43	R106-8489	106-8489	Bushing-Sleeve	4	
44	R106-8528	106-8528	Screw - Lock	2	
45	R104-9312	104-9312	Pin - Grooved	2	

All original equipment manufacturers names and part numbers are used for identification purposes only, and we are in no way implying that our products are original equipment parts. Prices subject to change without notice.



Replaces Toro Greensmaster 3050 Parts

DPA Cutting Unit - Models 04610, 04611 & 04616

Groomer - Model 04632



Item No	R&R Part No.	OEM Part No.	Description	Qty Req	Order Quantity
46	R106-8535	106-8535	RH Lift Arm Assy	1	
47	R32120-19	32120-19, 32120-81	E-Ring	2	
49	R33113-008	33113-008	Bolt - Hex HD M6-1.0 x 8	2	
50	R43-5930	01-176-0030, 43-5930	Washer - Lock M6	1	
51	R104-4754	104-4754	Spring-Detent	2	
52	R14M7296	104-2611	Nut - 10mm x 1.5 Flanged	2	
53	R106-8491	106-8491	Rod-Lift, Groomer	0	
55	R106-8536	106-8536	LH Lift Arm Assy	1	
57	R106-8471	106-8471	Hub-Pivot	1	
58	R106-8470	106-8470	LH Idler Assy	1	
59	R106-2646	106-2646	Ring - Retaining, Bo	1	
60	R106-2630	106-2630	Idler Bearing Assy	1	
61	R251-259	251-259, 251-307	Bearing - Ball	2	
62	R104-4727	104-4727	Ring - Retaining	1	
63	R33023-00	33023-00, 48-7900, 49-7810	Locknut - ESNA 6mm x 1.0	1	
64	R24M7139	24M7139, 3256-16, 33093-00, 43-5930	Washer - Flat 6mm	1	

All original equipment manufacturers names and part numbers are used for identification purposes only, and we are in no way implying that our products are original equipment parts. Prices subject to change without notice.



Replaces Toro Greensmaster 3050 Parts

DPA Cutting Unit - Models 04610, 04611 & 04616

Groomer - Model 04632



Item No	R&R Part No.	OEM Part No.	Description	Qty Req	Order Quantity
69	R453011	01-166-0100, 01-166-0120, 01-166-0270, 01-166-0500, 01-166-0600, 01-166-0620, 132-4593, 2356-3, 237-12, 24-10-AD, 24-11-AD, 24-11-BD, 24-12-AD, 24-12-BD, 30-9310, 32-8190, 3256-24, 3256-3, 3256-36, 3256-4, 453011, 47-9950, 48-9220, 513458, 7-0052	Washer - Flat 3/8 SAE Y/Zinc	2	
73	R256-292	104-7738, 256-292	Bushing - Nyliner Bed Bar	2	
82	R106-8513	106-8513	Arm-Groomer, HOC (LH)	1	
83	R106-8511	106-8511	Arm-Groomer, HOC (RH)	1	

All original equipment manufacturers names and part numbers are used for identification purposes only, and we are in no way implying that our products are original equipment parts. Prices subject to change without notice.