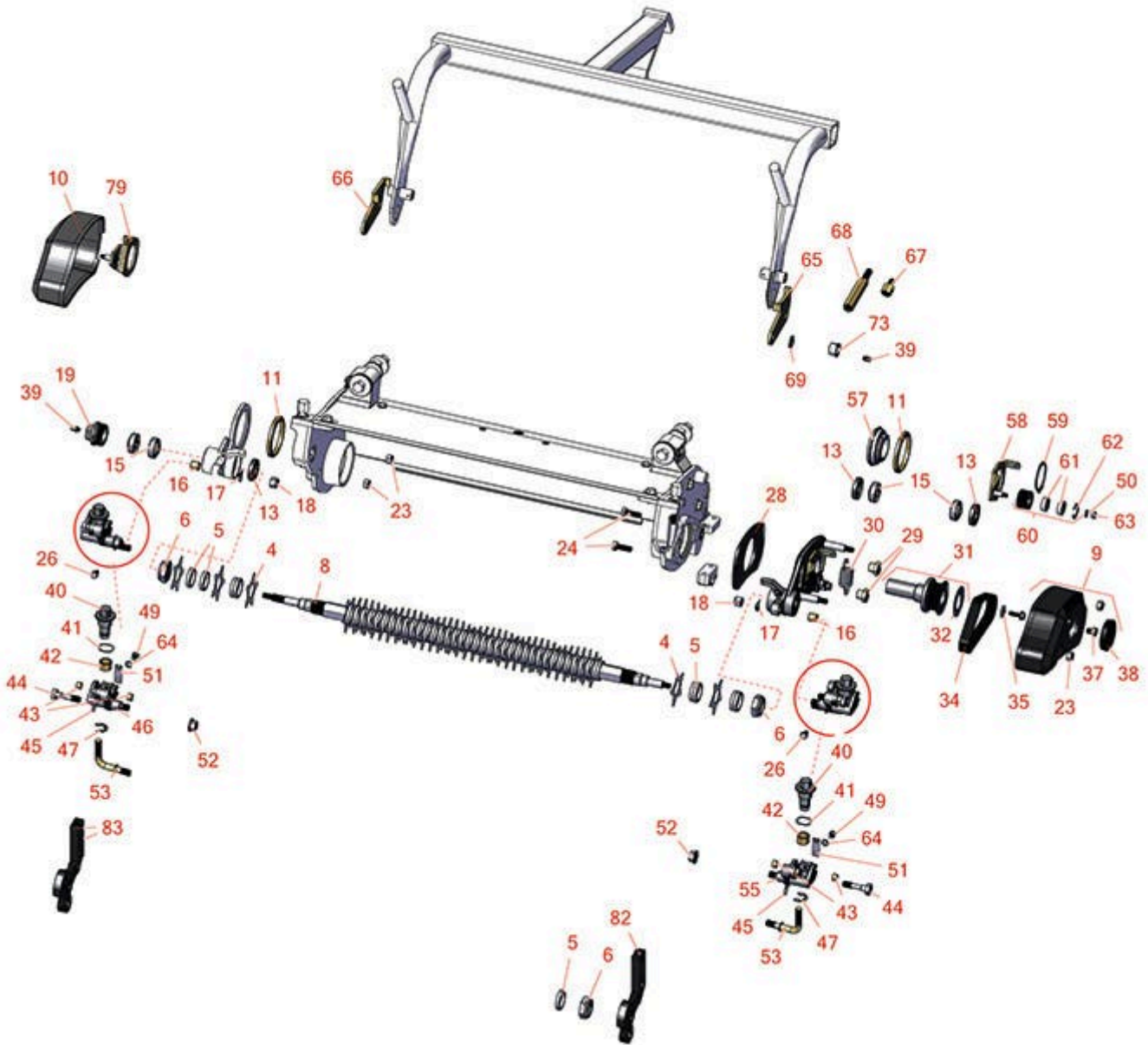




# Replaces Toro Greensmaster 3050 Parts

DPA Cutting Unit - Models 04610, 04611 & 04616  
Groomer - Model 04631



All original equipment manufacturers names and part numbers are used for identification purposes only, and we are in no way implying that our products are original equipment parts. Prices subject to change without notice.



# Replaces Toro Greensmaster 3050 Parts

DPA Cutting Unit - Models 04610, 04611 & 04616  
Groomer - Model 04631



Item No	R&R Part No.	OEM Part No.	Description	Qty Req	Order Quantity
<b>Blades</b>					
4	<b>R95-5719</b>	95-5719	Blade - Groomer	41	
<b>Other Parts Available</b>					
5	<b>R70-1350</b>	70-1350	Spacer - 1/4 Fits Groomer Shaft	86	
6	<b>R32127-46</b>	32127-46, 3296-60	Locknut	2	
8	<b>R112-9458</b>	106-8508, 112-9458	Shaft Assy w/Pulley - Groomer	1	
9	<b>R106-8542</b>	106-8542	LH Drive Cover Assy	1	
10	<b>R106-8541</b>	106-8541	RH Drive Cover Assy	1	
11	<b>R106-8527</b>	106-8527	Bushing	2	
13	<b>R106-8530</b>	106-8530	Seal - Oil	3	
15	<b>R107-8105</b>	106-8520, 107-8105	Bearing-Ball - Extended	4	
16	<b>R256-2</b>	256-2	Bushing - Idler Pulley	2	
17	<b>R3290-301</b>	3290-301	Washer - Spring Wave	2	
18	<b>R3296-5</b>	3296-5	Locknut - 3/8-24 Jam Nylon	2	
19	<b>R106-8529</b>	106-8529	Plug-Cap	1	
23	<b>R33024-00</b>	33024-00	Locknut - 8mm x 1.25	2	
24	<b>R57-6380</b>	33114-025, 48-9460, 60-4540	Bolt - Hex HD M8-1.25 x 25	2	
26	<b>R48-7610</b>	33113-012, 48-7610	Bolt - Hex HD Nyloc M6 x 12	2	
28	<b>R106-8463</b>	106-8463	Shim-Groomer	1	

All original equipment manufacturers names and part numbers are used for identification purposes only, and we are in no way implying that our products are original equipment parts. Prices subject to change without notice.



# Replaces Toro Greensmaster 3050 Parts

DPA Cutting Unit - Models 04610, 04611 & 04616

Groomer - Model 04631



Item No	R&R Part No.	OEM Part No.	Description	Qty Req	Order Quantity
29	<b>R105-5770</b>	105-5770	Nut - Shoulder	2	
30	<b>R110-1700</b>	110-1700, 66-4460	Spring-Extension	1	
31	<b>R106-8540</b>	106-8540	Pulley Assy	1	
32	<b>R106-8521</b>	106-8521	Decal-Warning	1	
34	<b>R104-4705</b>	104-4705, 120-2763	Belt - Groomer	1	
35	<b>R105-5769</b>	105-5769	Washer	1	
36	<b>R33103-020</b>	33103-020	Bolt - Hex Washer M6-1.0 x 20	1	
37	<b>R33114-010</b>	33114-010	Bolt - Hex HD M8-1.25 x 10	1	
38	<b>R105-5761</b>	105-5761	Grommet	1	
39	<b>R302-5</b>	21-6010, 302-11, 302-37, 302-47, 302-5, 302-57, 302-58, 302-6, 31-0300, 32-9660, 60-0800, 62-3880, 92-4181	Fitting - Grease	4	
40	<b>R106-8482</b>	106-8482	Adjuster-Groomer	2	
41	<b>R107-8107</b>	106-8490, 107-8107	Washer - Wave	2	
42	<b>R256-42</b>	256-42	Bushing	2	
43	<b>R106-8489</b>	106-8489	Bushing-Sleeve	4	
44	<b>R106-8528</b>	106-8528	Screw - Lock	2	

All original equipment manufacturers names and part numbers are used for identification purposes only, and we are in no way implying that our products are original equipment parts. Prices subject to change without notice.



# Replaces Toro Greensmaster 3050 Parts

DPA Cutting Unit - Models 04610, 04611 & 04616  
Groomer - Model 04631



Item No	R&R Part No.	OEM Part No.	Description	Qty Req	Order Quantity
45	<b>R104-9312</b>	104-9312	Pin - Grooved	2	
46	<b>R106-8535</b>	106-8535	RH Lift Arm Assy	1	
47	<b>R32120-19</b>	32120-19, 32120-81	E-Ring	2	
49	<b>R33113-008</b>	33113-008	Bolt - Hex HD M6-1.0 x 8	2	
50	<b>R43-5930</b>	01-176-0030, 43-5930	Washer - Lock M6	1	
51	<b>R104-4754</b>	104-4754	Spring-Detent	2	
52	<b>R14M7296</b>	104-2611	Nut - 10mm x 1.5 Flanged	2	
53	<b>R106-8491</b>	106-8491	Rod-Lift, Groomer	2	
55	<b>R106-8536</b>	106-8536	LH Lift Arm Assy	1	
57	<b>R106-8471</b>	106-8471	Hub-Pivot	1	
58	<b>R106-8470</b>	106-8470	LH Idler Assy	1	
59	<b>R106-2646</b>	106-2646	Ring - Retaining, Bo	1	
60	<b>R106-2630</b>	106-2630	Idler Bearing Assy	1	
61	<b>R251-259</b>	251-259, 251-307	Bearing - Ball	2	
62	<b>R104-4727</b>	104-4727	Ring - Retaining	1	
63	<b>R33023-00</b>	33023-00, 48-7900, 49-7810	Locknut - ESNA 6mm x 1.0	1	
64	<b>R24M7139</b>	24M7139, 3256-16, 33093-00, 43-5930	Washer - Flat 6mm	1	
65	<b>R99-4149</b>	99-4149	Bracket - Pull Link, - LH	2	

All original equipment manufacturers names and part numbers are used for identification purposes only, and we are in no way implying that our products are original equipment parts. Prices subject to change without notice.



# Replaces Toro Greensmaster 3050 Parts

DPA Cutting Unit - Models 04610, 04611 & 04616  
Groomer - Model 04631



Item No	R&R Part No.	OEM Part No.	Description	Qty Req	Order Quantity
66	<b>R99-4148</b>	99-4148	Bracket - Pull Link - RH	2	
67	<b>R99-4191</b>	99-4191	Extension - Pull Arm	2	
68	<b>R99-4270</b>	99-4149, 99-4270	Extension - Pull Arm 4 in.	4	
69	<b>R453011</b>	01-166-0100, 01-166-0120, 01-166-0270, 01-166-0500, 01-166-0600, 01-166-0620, 132-4593, 2356-3, 237-12, 24-10-AD, 24-11-AD, 24-11-BD, 24-12-AD, 24-12-BD, 30-9310, 32-8190, 3256-24, 3256-3, 3256-36, 3256-4, 453011, 47-9950, 48-9220, 513458, 7-0052	Washer - Flat 3/8 SAE Y/Zinc	2	
73	<b>R256-292</b>	104-7738, 256-292	Bushing - Nyliner Bed Bar	2	
79	<b>R106-8468</b>	106-8468	RH Idler Assy	1	
82	<b>R106-8513</b>	106-8513	Arm-Groomer, HOC (LH)	1	
83	<b>R106-8511</b>	106-8511	Arm-Groomer, HOC (RH)	1	

All original equipment manufacturers names and part numbers are used for identification purposes only, and we are in no way implying that our products are original equipment parts. Prices subject to change without notice.