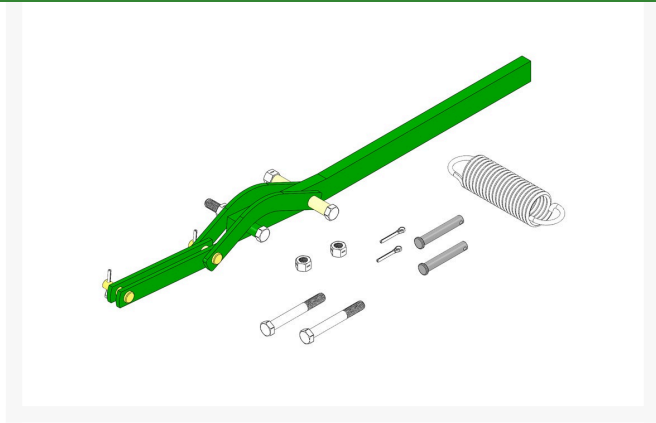




Hardware Kit - Fits R500108G / 9G

R500108HKG



Specifications

Manufacturer

R&R Products

Replacement Parts

R110537G

Latch Assy - Over
Center

R316724

Spring - Unit Tension

R325390

Pin - Rod End

R400312

Bolt - Hex HD 3/8-24 x
3

R444744

Locknut - 3/8-24

R460028

Pin - Cotter 1/8 x 1

Evergreen

C/. Bartomeu Amat, 2, Entlo 1 Terrassa, 08225
+34 931 130 054

<https://evergreen.rrproducts.com/>